



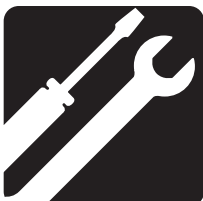
ASSEMBLY



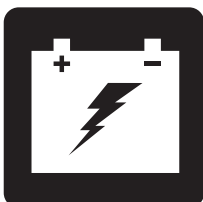
OPERATION



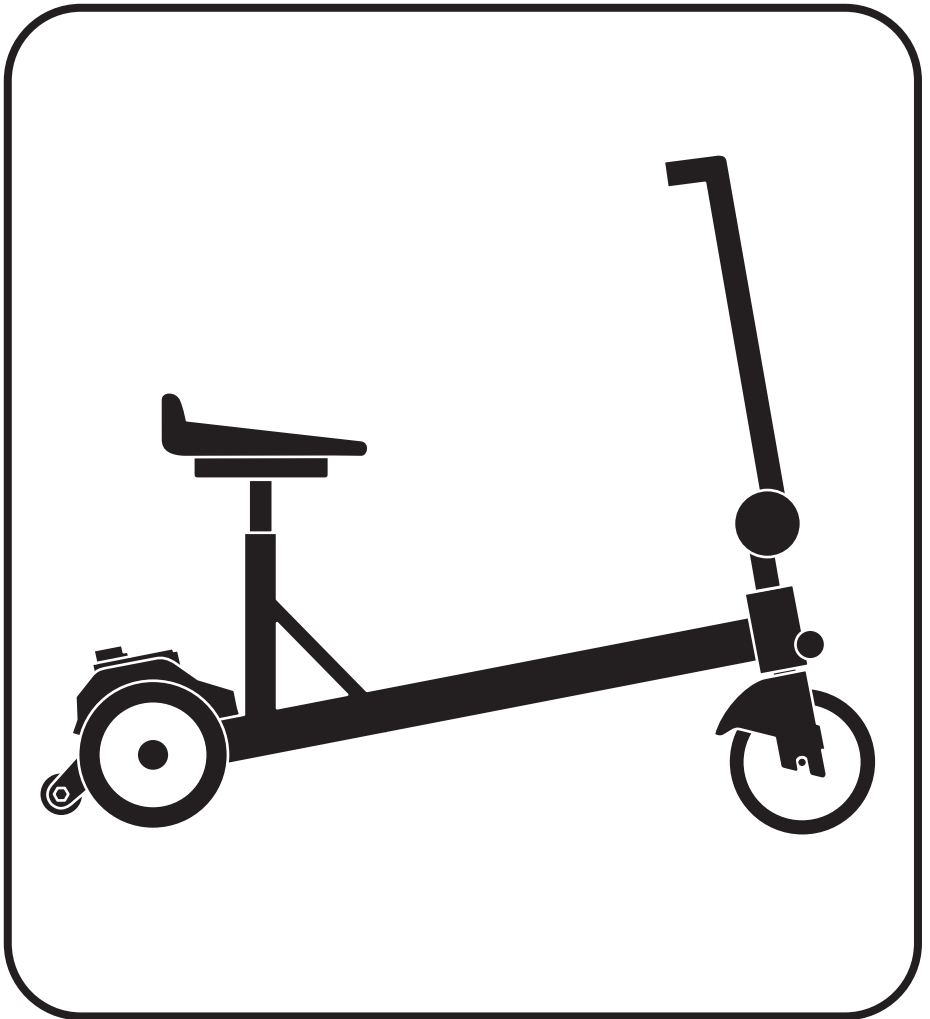
COMFORT



MAINTENANCE



BATTERY
CHARGING



iRIDE™ (S25)

OWNER'S MANUAL

SAFETY GUIDELINES



WARNING! An authorized Dealer or qualified technician must perform the initial setup of this scooter and must perform all of the procedures in this manual.

The symbols below are used throughout this owner's manual and on the scooter to identify warnings and important information. It is very important for you to read them and understand them completely.



WARNING! Indicates a potentially hazardous condition/situation. Failure to follow designated procedures can cause either personal injury, component damage, or malfunction. On the product, this icon is represented as a black symbol on a yellow triangle with a black border.



MANDATORY! These actions should be performed as specified. Failure to perform mandatory actions can cause personal injury and/or equipment damage. On the product, this icon is represented as a white symbol on a blue dot with a white border.



PROHIBITED! These actions are prohibited. These actions should not be performed at any time or in any circumstances. Performing a prohibited action can cause personal injury and/or equipment damage. On the product, this icon is represented as a black symbol with a red circle and red slash.



CALIFORNIA PROPOSITION 65 WARNING! This product may contain substances which are known to the state of California to cause cancer and birth defects or other reproductive harm. For more information, go to www.P65Warnings.ca.gov.

INTENDED USE

The intended use of this Pride Mobility Products® Scooter is to provide mobility to persons with full use of their upper and lower extremities and who are able to support themselves in an upright position. This product is primarily for indoor use and the outdoor capabilities are limited to hard, flat, and even surfaces such as concrete, black top, and other similar surfaces. While we understand that the scooter's outdoor capabilities are limited, when driving near uneven obstacles, follow the safety guidelines outlined within the safety section of this manual.

This product is not a medical device and is not intended to assist, treat, diagnose or alleviate any medical condition or disability.

NOTE: This owner's manual is compiled from the latest specifications and product information available at the time of publication. We reserve the right to make changes as they become necessary. Any changes to our products may cause slight variations between the illustrations and explanations in this manual and the product you have purchased. The latest/current version of this manual is available on our website.

NOTE: This product is compliant with WEEE, RoHS, and REACH directives and requirements.

NOTE: This product meets IPX4 classification (IEC 60529).

NOTE: The scooter and its components are not made with natural rubber latex. Consult with the manufacturer regarding any after-market accessories.



CONTENTS

SAFETY GUIDELINES	2
INTRODUCTION	4
I. SAFETY	5
II. YOUR SCOOTER	21
III. BATTERIES AND CHARGING	24
IV. OPERATION	28
V. COMFORT ADJUSTMENTS	30
VI. DISASSEMBLY AND ASSEMBLY	31
VII. BASIC TROUBLESHOOTING	32
VIII. CARE AND MAINTENANCE	33

Language Usage

This owner's manual is intended for distribution in all English-speaking countries where our scooters are sold. We have chosen to compose this manual using language and spellings common to the USA. Since we recognize that not all English-speaking countries use the same words or spellings, please refer to the following chart for some common word variations that may be encountered throughout this manual.

USA	Variation	USA	Variation
meter	metre	elevator	lift
backward(s)	rearward(s)	center	centre
authorized	authorised	curb	kerb
counterclockwise	anticlockwise	trunk	boot
tire	tyre	wrench	spanner
cord	lead	color	colour
pocketbook	handbag	labor	labour

INTRODUCTION

SAFETY

The scooter you have purchased combines state-of-the-art components with **safety**, comfort, and styling in mind. We are confident that these design features will provide you with the conveniences you expect during your daily activities. Once you understand how to **safely** operate and care for your scooter, it should give you years of trouble free operation and service.

Read and follow all instructions, warnings, and notes in this manual before attempting to operate your scooter for the first time. You must also read all instructions, warnings, and notes contained in any supplemental instructional booklets before initial operation. Your **safety** depends upon you, as well as your Dealer, caretaker, or healthcare professional in using good judgment.

If there is any information in this manual which you do not understand, or if you require additional assistance for setup or operation, please contact your authorized Dealer. **Failure to follow the instructions in this manual and those located on your scooter can lead to personal injury and/or damage to the scooter, including voiding the warranty.**

PURCHASER'S AGREEMENT

By accepting delivery of this product, you promise that you will not change, alter, or modify this product or remove or render inoperable or unsafe any guards, shields, or other safety features of this product; fail, refuse, or neglect to install any retrofit kits from time to time provided to enhance or preserve the safe use of this product.

SHIPPING AND DELIVERY

Before using your scooter, make sure your delivery is complete as some components may be individually packaged. If you do not receive a complete delivery, please contact your authorized Dealer immediately. Where damage has occurred during transport, either to the packaging or content, please contact the delivery company responsible.

NOTE: If you ever lose or misplace your copy of this manual, contact us and we will be glad to send you a new one immediately.

I. SAFETY

GENERAL



MANDATORY! Do not operate your new scooter for the first time without completely reading and understanding this owner's manual.

If you discover a problem, contact your authorized Dealer for assistance. Please refer to the Contact Information insert in your Owner's Package.

PRODUCT SAFETY SYMBOLS

The symbols below are used on the scooter to identify warnings, mandatory actions, and prohibited actions. It is very important for you to read and understand them completely.



Read and follow the information in this owner's manual.



Scooter information label



Fully charge batteries before operating.

Switch battery power button to the off position on an unattended scooter.



or



Does not meet ISO 7176-19 standards for occupied transport in a motor vehicle. When traveling in a motor vehicle, do not sit in your scooter.



Manufactured in



Indicates a potentially hazardous situation which, if not avoided, could result in death or severe injury. Property damage may also result.



Indicates electrical shock hazard.



EMI/RFI – This product has been tested and passed at an immunity level of 3 V/m.



Indicates that explosive conditions exist.

I. SAFETY



Corrosive chemicals contained in batteries.



Indicates hot surface. Avoid contact.



Indicates a mandatory action that should be performed as specified in order to avoid a hazardous condition/situation. Failure to perform mandatory actions can lead to personal injury and/or equipment damage.



Indicates maximum weight capacity. Stay within the specified weight capacity of your product.



Battery has been tested and complies with United Nations Transport Regulations standard UN38.3. Check with airline prior to travel.

DOT 49 CFR 175.106(V17)



Protect from heat sources.



Your product must be disposed of according to applicable local and national statutory regulations. Contact your local waste disposal agency or authorized Dealer for information on proper disposal of packaging, metal frame components, plastic components, electronics, batteries, neoprene, silicone, and polyurethane materials.



Contact your local recycling center or authorized Dealer for information on proper recycling of product components.



Indicates component is for indoor use only.



Keep area clean.



Keep area dry.



Indicates a prohibited action that should not be performed at any time or in any circumstances. Performing a prohibited action can cause personal injury and/or equipment damage.



Keep tools and other metal objects away from battery terminals. Contact with tools can cause electric shock.

I. SAFETY



Do not allow unsupervised children to play near the scooter while the batteries are charging.



Do not connect an extension cord to the AC/DC converter or the battery charger.



Do not use a cell phone, walkie-talkie, laptop, or other radio transmitter while operating.



Indicates flammable material. Do not expose to heat sources such as open flame or sparks. Do not transport batteries with flammable or combustible items.



Do not tamper with, modify, or attempt to repair the mobility device. Contact your authorized Dealer for service or repair.



Avoid exposure to rain, snow, ice, salt, or standing water whenever possible. Maintain and store in a clean and dry condition.



Do not remove anti-tip wheels.



Keep your hands, clothing and all other objects away from the tires when driving. Do not allow any personal belongings or objects to drag behind the scooter when driving. Be aware that loose fitting clothing or other objects can become caught in drive wheels and/or they may become entangled in the running gear.

I. SAFETY

General Safety Guidelines

Your scooter is a state-of-the-art, life-enhancement device designed to increase mobility. We provide an extensive variety of products to best fit the individual needs of the scooter user. Please be aware that the final selection and purchasing decision regarding the type of scooter to be used is the responsibility of the scooter user, who is capable of making such a decision.

WARNING! Do not operate your scooter for the first time without completely reading and understanding all information available with your scooter, including but not limited to safety labeling, owner's manuals, and supplemental instructional booklets.

WARNING! The iRIDE is not intended for use by persons who cannot support themselves in an upright position.



WARNING! Prior to operating your scooter, familiarize yourself with the location and use of controls, including the tiller for steering, the throttle for accelerating, and the handbrake for stopping. During operation, unless gripping the handbrake, keep both hands on the tiller at all times to assure safe operation of the scooter. Failure to both release the throttle and engage the handbrake when stopping the scooter can result in collision with people or objects which may result in property damage, personal injury or death.

WARNING! The iRide is intended for operation on flat, even surfaces whether indoors or outdoors. Examples of "indoors" typically include, but are not limited to, linoleum, hardwood, tile, non-pile and low-pile carpeting. Examples of "outdoors" typically include, but are not limited to, concrete, asphalt, macadam, and certain refined brick configurations. Do not operate your scooter on or near uneven surfaces such as stairs, drop-offs, ledges, grass, gravel, sand, mulch, dirt, mud or deteriorated concrete, asphalt or other uneven surfaces. Failure to heed this warning may result in damage to the product or cause instability and tipping resulting in personal injury or death.

The following are precautions, tips, and other safety considerations intended to help you become accustomed to operating your scooter safely. While we recognize that scooter users will frequently develop skills to manage daily activities that may differ from those illustrated in this manual, it is imperative that all safety guidelines in this manual be followed to ensure user safety. Failure to follow the safety notices in this and other manufacturer-supplied manuals and those located on your scooter can lead to personal injury and/or damage to the scooter, and may result in voiding the product warranty.

Modifications

We have designed and engineered your scooter to provide maximum mobility and utility. Under no circumstances should you modify, add, remove, or disable any feature, part, or function of your scooter.

WARNING! Do not modify your scooter in any way not authorized by your Dealer. Do not use accessories if they have not been tested or approved for scooter. Approved accessories must be installed by your authorized Dealer or a qualified service technician.



WARNING! The addition of accessories to the scooter may change the overall weight, size, and/or center of gravity of your scooter. It is important to take note of these changes to avoid damage to the scooter and surrounding property.



WARNING! Do not add any side body anti-tip wheels or other side body stability enhancements. Doing so may diminish ground clearance and promote instability when the user comes in contact with any raised surface. We acknowledge certain high weight capacity products have side body anti-tip wheels. These are intended to enhance product stability during transfer on and off of the scooter and do not enhance the dynamic stability of the scooter.

The center of gravity of your seat was factory set to a position that meets the needs of the demographic majority of users.



WARNING! Do not change your seating configuration without first contacting your authorized Dealer. Only your authorized Dealer or a trained service technician should make adjustments to the seat.



WARNING! Do not use seats on your scooter that have not been tested or approved for your scooter. Using unapproved seats could affect the center of gravity of your scooter, resulting in a tip or a fall.

I. SAFETY

You should not modify the electrical system in any way not authorized by the scooter manufacturer.

WARNING! Do not connect any aftermarket or auxiliary devices to the scooter electrical system or use the scooter batteries to power any aftermarket or auxiliary devices unless you are using an adapter that has been tested and approved by the scooter manufacturer. Do not cut or splice any original equipment wires, cables, or leads for the purpose of adding aftermarket or auxiliary devices to the scooter as this may result in damage to the electrical system and batteries.



WARNING! Do not pull on electrical leads directly to detach them from the scooter. Always grasp the connector itself when disconnecting the lead to prevent wire damage.



WARNING! Ensure that the off-board charger power cord connectors are clean and dry before plugging the connectors into either the off-board charger socket or the electrical socket. Service the charger power cord regularly. Failure to do so may result in damage to the electrical system and/or personal injury.

WARNING! In the event of a loss of power to the scooter, transfer to a safe position, seeking assistance if needed. Contact your authorized Dealer immediately to report the incident.

Weight Limitations

Your scooter is rated for a maximum weight capacity. Please refer to the product specifications table for this limit. Keep in mind that the maximum weight capacity includes the combined weight of the user and any accessories mounted to the scooter. Stay within the specified weight capacity of your scooter. Exceeding the weight capacity voids your warranty. We will not be held responsible for injuries and/or property damage resulting from failure to observe weight limitations.



WARNING! We recommend that you do not use the scooter as a seat during weight-training activities or as a weight-training apparatus. Such use can lead to undue stress and fatigue on scooter components, and can also affect center of gravity, resulting in a tip or a fall. We will not be held responsible for injuries and/or property damage resulting from use of the scooter in weight-training activities or as a weight-training apparatus.



WARNING! Do not carry passengers on your scooter. Carrying passengers on your scooter may affect the center of gravity, resulting in a tip or a fall. We will not be held responsible for injuries and/or property damage caused by carrying passengers on the scooter.



WARNING! Do not use the scooter to haul, move, or tow other vehicles, including lawn mowers, ATV equipment, or other mobility devices. Your scooter was not designed with such use in mind and any damage or injury incurred from such use is not the responsibility of the scooter manufacturer.



Figure 1. Weight Limitations

I. SAFETY

Incline Information

More and more buildings have ramps with specified degrees of inclination, designed for easy and safe access. Some ramps may have turning switchbacks (180-degree turns) that require you to have good cornering skills on your scooter.

- Proceed with extreme caution as you approach the downgrade of a ramp or other incline.
- Take wide swings with your scooter's front wheels around any tight corners. If you do that, the scooter's rear wheels will follow a wide arc, not cut the corner short, and not bump into or get hung up on any railing corners.
- When driving down a ramp, keep the scooter's speed adjustment set to the slowest speed setting to ensure a safely controlled descent.
- Avoid sudden stops and starts.

When climbing an incline, try to keep your scooter moving. If you must stop, start up again slowly, and then accelerate cautiously. When driving down an incline, set your scooter to the slowest speed setting and drive in the forward direction only. If your scooter starts to move down the incline faster than you anticipated or desired, allow it to come to a complete stop by releasing the twist throttle and engage the brake levers slightly until you reach your desired speed.



WARNING! When on any sort of an incline or decline, ensure the parking brake is engaged.



WARNING! When climbing an incline, do not zigzag or drive at an angle up the face of the incline. Drive your scooter straight up the incline. This greatly reduces the possibility of a tip or a fall. Always exercise extreme caution when negotiating an incline.



WARNING! You should not travel up or down potentially hazardous inclines, including but not limited to areas covered with snow, ice, cut grass, or wet leaves.

WARNING! Never travel down an incline or ramp backward. Doing so may cause the scooter to tip. Always exercise extreme caution when negotiating an incline.

Handicap public-access ramps are not subject to government regulation in all countries, and therefore do not necessarily share the same standard degree of slope. Other inclines may be natural or, if man-made, not designed specifically for scooters. Your scooter's ability to travel up inclines is affected by your weight, travel speed, angle of approach to the incline, and your scooter setup, including seat configuration. Therefore, we recommend that the maximum slope of an incline you attempt to safely ascend or descend on your scooter does not exceed the maximum allowable incline listed in the product specifications. Refer to the following table for standard degree of slope guidelines that are available for regions as noted. See **figure 2**.

I. SAFETY

Geographic Location	Minimum Safe Slope Requirement
USA (Americans with Disabilities Act–ADA)	ADA requires 5° (8.7%)
Europe (CE mark) Class A	3° (5.2%)
Europe (CE mark) Class B	6° (10.5%)
Europe (CE mark) Class C	10° (17.6%)

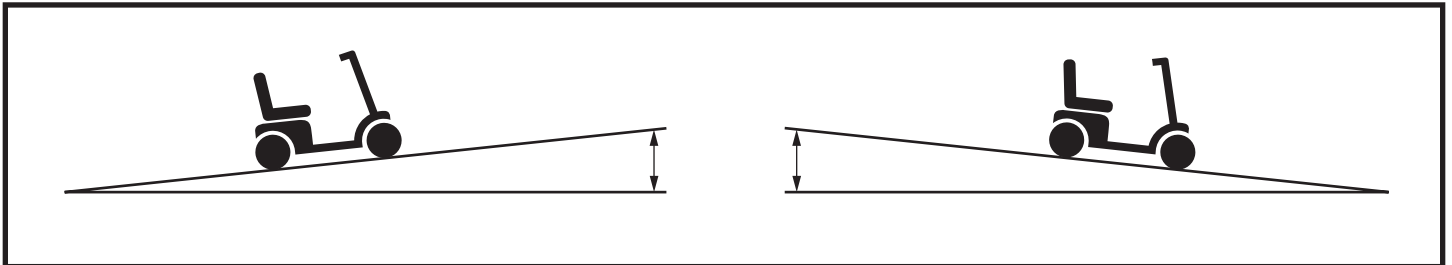


Figure 2. Maximum Allowable Incline Angle (Ascending and Descending)

WARNING! Your scooter has been tested in accordance with certain standards. You should not exceed the performance specifications of your scooter as noted in the product specifications.



WARNING! Any attempt to climb or descend a slope steeper than that specifically listed in your scooter product specifications may put your scooter in an unstable position and cause it to tip.

WARNING! Don't carry anything or add any accessory that will adversely affect the center of gravity or exceed the weight capacity of the scooter. Doing so could affect the center of gravity of the scooter, resulting in a tip over.

When you approach an incline, it is best to lean forward. This shifts the center of gravity of you and your scooter toward the front of the scooter for improved stability. See figures 3 and 4.



Figure 3. Normal Driving Position



Figure 4. Increased Stability Driving Position

I. SAFETY



Figure 5. Safe Pushing

Braking Information

Scooters are equipped with three brake systems—a handbrake lever, a supplemental brake, and a parking brake. The brake levers must be activated manually to slow the vehicle to near stop. Refer to “II. Your Scooter” for braking information.

Unless equipped with a specialty device, the speed of your scooter is controlled by a twist throttle. When the twist throttle is moved from the neutral position, the scooter will begin to move forward. The more pressure applied to the twist throttle, the faster the vehicle will move up to a preset maximum speed. When the twist throttle is released back to the center (neutral) position, the electronic signal is reversed and forward acceleration is stopped. The manual handbrake must be engaged to come to a controlled stop.

NOTICE: *If the twist throttle is released to the neutral position when negotiating an incline, the scooter may “roll back.” Engage brake lever to stop the scooter from rolling back.*

Cornering Information

Excessively high cornering speeds can still create the possibility of tipping. Factors which affect the possibility of tipping include, but are not limited to: cornering speed, steering angle (how sharply you are turning), uneven surfaces, inclined surfaces, riding from an area of low traction to an area of high traction (such as passing from a tiled area to a carpeted area – especially at high speed while turning), and abrupt directional changes. High cornering speeds are not recommended. If you feel that you may tip over in a corner, reduce your speed and steering angle (i.e., lessen the sharpness of the turn) to prevent your scooter from tipping.



WARNING! When cornering sharply, reduce your speed and maintain a stable center of gravity. Avoid shifting your weight in the opposite direction of the turn, which may cause the scooter to lose traction and tip over.

I. SAFETY

Stationary Obstacles (Steps, Curbs, etc.)

Proceed with extreme caution when driving near raised surfaces, unprotected curbs and/or drop-offs (curbs, porches, stairs, etc.). Refer to the scooter specifications for information regarding maximum obstacle climbing height for your scooter.

To navigate up over a curb or stationary obstacle:

1. Approach the curb or obstacle slowly, and make sure the scooter is traveling perpendicular to the obstacle. **See figure 6.**
2. Increase the forward speed just before the front wheel come in contact with the obstacle.
3. Reduce the forward speed only after the rear wheels have cleared the obstacle.

To navigate down a curb or stationary obstacle:

1. Approach the curb or obstacle slowly, and make sure the scooter is traveling perpendicular to the obstacle. **See figure 6.**
2. Reduce the forward speed just before the front wheel comes in contact with the obstacle.
3. Increase the forward speed only after the rear wheels has cleared the obstacle and you are once again on a level surface.

WARNING! Even though your scooter may be capable of handling greater obstacles, we recommend that you do not attempt to negotiate a curb that has a height greater than 1.5 in. (4 cm). Doing so could cause instability in your scooter.

WARNING! Do not attempt to have your scooter climb or descend an obstacle that is inordinately high.

WARNING! Do not attempt to have your scooter proceed backward down any step, curb, or other obstacle. This may cause the scooter to tip.

WARNING! Do not approach curbs at an angle; instead, approach any curb you intend to ascend or descend in the forward position.

WARNING! The iRide is intended for operation on flat, even surfaces whether indoors or outdoors. Examples of "indoors" typically include, but are not limited to, linoleum, hardwood, tile, non-pile and low-pile carpeting. Examples of "outdoors" typically include, but are not limited to, concrete, asphalt, macadam, and certain refined brick configurations. Do not operate your scooter on or near uneven surfaces such as stairs, drop-offs, ledges, grass, gravel, sand, mulch, dirt, mud or deteriorated concrete, asphalt or other uneven surfaces. Failure to heed this warning may result in damage to the product or cause instability and tipping resulting in personal injury or death.

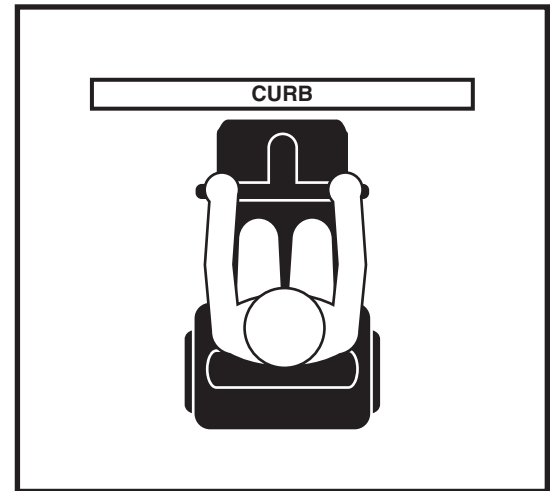


Figure 6. Correct Curb Approach



Figure 7. Incorrect Curb Approach

I. SAFETY

Ingress of Liquids



WARNING! Even though the scooter has passed the necessary testing requirements for ingress of liquids, you should keep electrical connections away from sources of dampness, including direct exposure to water or bodily fluids and incontinence. Check electrical components frequently for signs of corrosion and have them replaced as necessary.

WARNING! Never take your scooter into a shower, tub, pool, or sauna. Do not operate your scooter in water.

Stairs and Escalators

Scooters are not designed to travel up or down stairs or escalators. Always use an elevator.

WARNING! Never use your scooter to negotiate stairs or escalators.



WARNING! Use extreme caution when it is necessary to move an unoccupied scooter up or down stairs. We recommend that two attendants perform this task, and that the seat, batteries, and any accessories be removed before attempting the transfer. Use proper lifting techniques and use only solid, non-removable frame components to lift the scooter.

Elevators

Modern elevators have a door edge safety mechanism that, when pushed, reopens the elevator door(s).

- If you are in the doorway of an elevator when the door(s) begin to close, push on the rubber door edge or allow the rubber door edge to contact the scooter and the door will reopen.
- Use care that pocketbooks, packages, or scooter accessories do not become caught in elevator doors.

NOTICE: If your scooter's turning radius is greater than 60 in. (152 cm), it may be difficult to maneuver in elevators and building entrances. Use caution when attempting to turn or maneuver your scooter in small spaces and avoid areas that might pose a problem.

Doors

- Determine if the door opens toward or away from you.
- Drive your scooter gently and slowly forward to push the door open, or push your scooter gently and slowly backward to pull the door open.

Unoccupied Motor Vehicle Transport

Do not remain seated in your scooter while traveling in a motor vehicle. The scooter should be stowed in the trunk of a car or in the back of a truck or van with seat removed and/or properly secured. In addition, all removable scooter parts should be removed and/or properly secured during motor vehicle transport.



WARNING! The scooter user should transfer into the motor vehicle seat and use the vehicle-installed restraint system if and whenever feasible. The scooter user should never sit on the scooter while it is in a moving vehicle.



WARNING! Always be sure your scooter and its seat are properly secured when it is being transported. Batteries should not be transported with any flammable or combustible items.

Seating



WARNING! Should the fittings on your seat become loose, report the problem immediately to your authorized dealer.



WARNING! Do not remove the seat cushion supplied with the scooter. Do not place additional cushions, padding, or pillows on the seat cushion. This could cause an unstable position, resulting in a fall from the scooter.

I. SAFETY

Batteries and Charging: Lithium-Ion

In addition to following the warnings below, be sure to comply with all other battery handling information provided in III. “Batteries and Charging” of this owner’s manual.

WARNING! Airlines have strict guidelines for transporting Lithium-Ion batteries onboard passenger airplanes. Check with airline prior to travel.

WARNING! Only use batteries authorized by your Dealer. Refer to the specifications provided with the scooter and in the manual supplied with the battery charger for recommended type and capacities. The only battery offered is already in an assembly that cannot be opened. You must go to your authorized Dealer.

WARNING! This battery has been tested and complies with United Nations Transport Regulations standard UN38.3.

WARNING! Always ensure that the Lithium-Ion battery charger supplied with your scooter is used to recharge your battery. Using a different or non-Lithium charger may result in diminished scooter performance, including diminished range per charge. Failure to heed this warning may result in product damage, personal injury, or death.

WARNING! Always protect the battery from freezing and never charge a frozen battery. Charging a frozen battery may result in damage to the battery.



WARNING! Always operate charger in a well-ventilated area as it is essential for proper cooling. Ensure vent holes are clear of blockages before use and always place the charger on a hard, flat surface during charging. Before each use, ensure the charger is not covered with any items such as blankets or articles of clothing. Do not place the charger in enclosed areas such as pouches or bags. Failure to allow for proper ventilation may result in damage to the charger.

WARNING! Check battery box for signs of damage. If any battery or battery box appears damaged, contact your authorized Dealer immediately.

WARNING! Be aware that the battery charger case may become hot during charging. Avoid skin contact and do not place the charger on surfaces that may be affected by heat including carpeting or clothing.

WARNING! If the battery charger is equipped with cooling slots, then do not attempt to insert objects through these slots and keep the cooling slots free from objects.

WARNING! Do not charge in direct sunlight or near heat sources.

WARNING! Contact your authorized Dealer if you have any questions regarding the battery in your scooter.

WARNING! Do not open the battery pack. There are no serviceable parts inside.

I. SAFETY

Removable Parts



WARNING! Do not attempt to lift or move your scooter or seat by grasping or holding onto any of its removable parts. Grasp only solid, non-removable frame components to lift or move your scooter or seat.

Preventing Unintended Movement



WARNING! If you anticipate being seated in a stationary position for an extended period of time, disconnect the controller and battery connectors. This will prevent unexpected motion from inadvertent twist throttle contact. This will also eliminate the possibility of unintended scooter movement from electromagnetic (EM) sources.

Reaching and Bending

Never reach, lean, or bend while driving your scooter. Bending forward creates the risk of accidental twist throttle contact. Bending to the side while seated creates the risk of tipping. If it is absolutely necessary to reach, lean, or bend while seated on your scooter, it is important to maintain a stable center of gravity and keep the scooter from tipping. Make sure the wheels are pointed in the forward position to create the longest possible wheelbase. We recommend that the scooter user determine his/her personal limitations and practice bending and reaching in the presence of a qualified attendant. See figures 8 and 9.

WARNING! Do not bend, lean, or reach for objects if you have to pick them up by reaching down between your knees, if you have to lean from either side of the scooter, or if you have to reach over the back of the seat. Movements such as these may change your center of gravity and the weight distribution of the scooter. This may cause your scooter to tip.



WARNING! Keep your hands, clothing, and all other objects away from the tires when driving. Do not allow any personal belongings or objects to drag behind the scooter when driving. Be aware that loose fitting clothing or other objects can become caught in drive wheels and/or they may become entangled in the running gear.



WARNING! Possible strangulation hazard! Be aware that clothing, lanyards, necklaces, other jewelry, purses, and other accessories worn or carried by you while you are seated on or operating the scooter may get caught around the armrests or twist throttle. Be careful to avoid this potential danger.

WARNING! Do not allow objects or accessories to protrude from your scooter when driving. Be aware protruding objects can become caught on items surrounding the scooter's path.

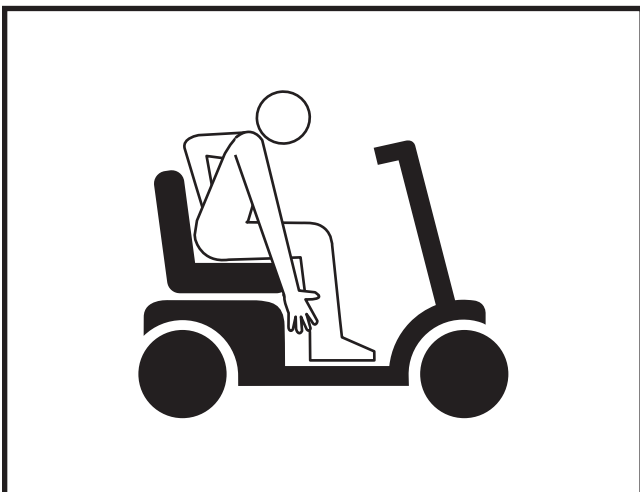


Figure 8. Proper Reaching and Bending

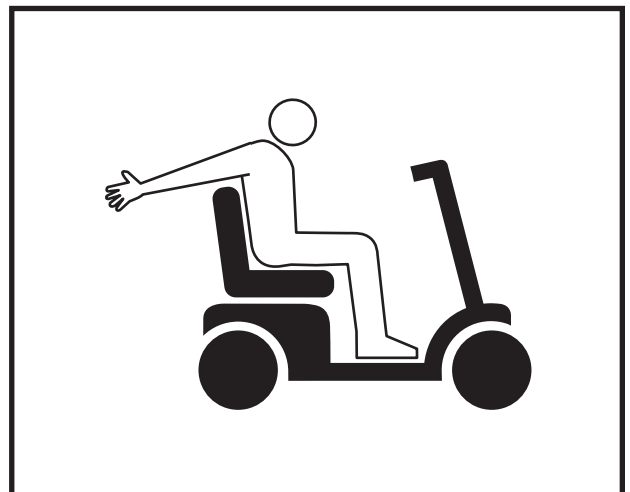


Figure 9. Improper Reaching and Bending

I. SAFETY

Transfers

Transferring onto and off of your scooter requires a good sense of balance. Always have an attendant present while learning to properly transfer.

To eliminate the possibility of injury, we recommend that you or a trained attendant perform the following tasks before attempting a transfer:

- Turn off power button on battery box.
- Ensure the parking brake is engaged. See “Your Scooter” in this owner’s manual.
- Make sure the seat is fixed securely in place.

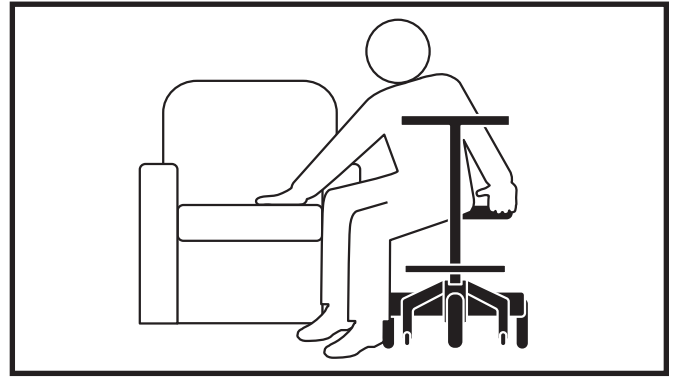


Figure 10. Recommended Transfer Position

WARNING! Before transferring, engage the parking brake.

WARNING! Before transferring, position yourself as far back as possible in the scooter seat to prevent the scooter from tipping forward during transfer.



WARNING! Avoid putting all of your weight on the scooter tiller. Such use may cause the scooter to tip, resulting in a fall from the scooter and personal injury.

WARNING! Avoid putting all of your weight on the scooter foot pegs. Such use may cause the scooter to tip.

Physical Limitations

Users must exercise care and common sense when operating a scooter. This includes awareness of safety issues that arise because of particular physical limitations of the scooter user.



WARNING! Do not operate your scooter if your ability to operate the scooter safely is impaired in any way. Examples include, but are not limited to, a lack of awareness of surroundings or lack of capacity to think clearly; impaired vision or hearing; or impaired dexterity of upper extremities that limits the capacity to use controls or steer. Operating this scooter while impaired in any way may result in erratic steering, acceleration, braking, instability, tipping, misdirection, and/or collision with persons or objects. Any of these circumstances can result in serious personal injury or death.

Drugs/Medications

Users must exercise care and common sense when operating a scooter. This includes awareness of safety issues that arise when taking prescribed or over-the-counter drugs/medications.



WARNING! Consult with your physician if you are taking prescribed or over-the-counter drugs/medications. Some drugs/medications may impair your ability to operate your scooter safely. Operating this scooter while impaired may result in erratic steering, acceleration, braking, instability, tipping, misdirection, and/or collision with persons or objects. Any of these circumstances can result in serious personal injury or death.

Alcohol and Other Intoxicants/Smoking

Users must exercise care and common sense when operating a scooter. This includes awareness of safety issues that arise after consuming alcohol and other intoxicants, including marijuana and various forms of narcotics.



WARNING! Do not operate your scooter while you are under the influence of alcohol or other intoxicants, including marijuana and other forms of narcotics, which may impair your ability to operate your scooter safely. Operating this scooter while impaired may result in erratic steering, acceleration, braking, instability, tipping, misdirection, and/or collision with persons or objects. Any of these circumstances can result in serious personal injury or death.

I. SAFETY

Smoking

Users must exercise care and common sense when operating a scooter. This includes awareness of safety issues that arise from smoking which may impair your ability to operate your scooter in a safe manner.

WARNING! Do not operate your scooter while smoking. Smoking may impair your ability to operate your scooter safely or cause a fire. Operating a scooter while smoking can distract the user from safely operating the scooter and can interfere with properly operating the scooter's controls which may result in erratic steering, acceleration, braking, instability, tipping, misdirection, and/or collision with persons or objects. Any of these circumstances may result in serious personal injury or death. Smoking while operating the scooter can also result in physical burns and/or scooter/property damage and can ignite a fire that can result in serious personal injury or death.



WARNING! We strongly recommend that you do not smoke cigarettes while seated in your scooter, even though the scooter has passed the necessary testing requirements for exposure to cigarette smoking. You must adhere to the following safety guidelines if you decide to smoke cigarettes while seated in your scooter.

- Do not leave lit cigarettes unattended.
- Keep ashtrays a safe distance from the seat cushions.
- Always make sure cigarettes are completely extinguished before disposal.

Flammability Precautions

WARNING! Even though the plastics and seat used on your scooter have been tested and have passed flammability standards, we recommend that you do not expose your scooter to open flames.



WARNING! Exercise extreme caution when using oxygen in close proximity to electrical circuits and combustible materials. Contact your oxygen Dealer for information on using oxygen safely.

WARNING! Replace worn or damaged upholstery immediately to reduce the risk of fire hazard.

WARNING! Be aware that washing of upholstered items may reduce the resistance to flammability of the fabric.

Hazardous Environments



WARNING! Due to the electrical make-up of our products, we do not recommend use of our scooters in Class I Division I industrial or commercial environments where the work area could have a combustible air composition. In such an environment, it is possible for the scooter to become an ignition source for a fire or explosion.

I. SAFETY

Sports and Athletics

The scooter user must exercise care and common sense when operating his/her scooter. This includes awareness of safety issues while participating in sports and athletics. All sports activities run the risk of injury. We recommend that your scooter be equipped with a positioning belt and that you use sports safety equipment such as helmets and padding if you choose to participate in sports activities.

In addition, it is your responsibility to inform your authorized Dealer if you will be participating in sports and athletics. Your scooter may not be set up properly for sports activities in terms of both seat configuration and controller program. If you participate in sports activities of any kind, make sure your authorized Dealer has monitored your use of the scooter in this activity. This will aid your Dealer in configuring the scooter to suit your specific needs safely and comfortably. After any adjustments have been made, your Dealer should once again monitor your use of the scooter in this activity to ensure that you are comfortable with the new settings.



WARNING! Participating in sports and athletics is done at the user's own risk. The scooter user is responsible for using proper safety equipment and for ensuring that his/her authorized Dealer has properly configured the scooter for such use. We will not be held liable for personal injury and/or product damage resulting from use of the scooter in any sports-related activity.

Electromagnetic and Radio Frequency Interference (EMI/RFI)



WARNING! Laboratory tests have shown that electromagnetic and radio frequency waves can have an adverse effect on the performance of electrically-powered mobility vehicles.

Electromagnetic and Radio Frequency Interference can come from sources such as cellular phones, mobile two-way radios (such as walkie-talkies), radio stations, TV stations, amateur radio (HAM) transmitters, wireless computer links, microwave signals, paging transmitters, and medium-range mobile transceivers used by emergency vehicles. In some cases, these waves can cause unintended movement or damage to the control system. Every electrically-powered mobility vehicle has an immunity (or resistance) to EMI. The higher the immunity level, the greater the protection against EMI. This product has been tested and has passed at an immunity level of 3 V/m.



WARNING! Be aware that cell phones, two-way radios, laptops, electricity generators or high power sources, and other types of radio transmitters may cause unintended movement of your electrically-powered mobility vehicle due to EMI. Do not turn ON hand-held personal communication devices, such as citizens band (CB) radios and cellular phones, while the scooter is turned on. Be aware of nearby transmitters, such as radio or TV stations, and avoid coming into close proximity to them.



WARNING! The addition of accessories or components to the electrically-powered mobility vehicle can increase the susceptibility of the vehicle to EMI. Do not modify your scooter in any way not authorized by the scooter manufacturer.

WARNING! The electrically-powered mobility vehicle itself can disturb the performance of other electrical devices located nearby, such as alarm systems.

NOTICE: For further information on EMI/RFI, contact your authorized Dealer. If unintended motion occurs, turn your scooter off as soon as it is safe to do so. Contact your authorized Dealer to report the incident.

I. SAFETY

Questions & Answers about Proposition 65

What is Proposition 65?

Proposition 65 requires businesses to provide warnings to Californians about significant exposures to chemicals that cause cancer, birth defects, or other reproductive harm. These chemicals can be in the products that Californians purchase, in their homes or workplaces, or that are released into the environment. By requiring that this information be provided, Proposition 65 enables Californians to make informed decisions about their exposures to these chemicals.

Proposition 65 also prohibits California businesses from knowingly discharging significant amounts of listed chemicals into sources of drinking water. Proposition 65 requires California to publish a list of chemicals known to cause cancer, birth defects, or other reproductive harm. This list, which must be updated at least once a year, has grown to include approximately 900 chemicals since it was first published in 1987.

What types of chemicals are in the Proposition 65 list?

The list contains a wide range of naturally occurring and synthetic chemicals that include additives or ingredients in pesticides, common household products, food, drugs, dyes, or solvents. Listed chemicals may also be used in manufacturing and construction, or they may be byproducts of chemical processes, such as motor vehicle exhaust.

What does a warning mean?

If a warning is placed on a product label or posted or distributed at a workplace, a business, or in rental housing, the business issuing the warning is aware or believes that it is exposing individuals to one or more listed chemicals. By law, a warning must be given for listed chemicals unless the exposure is low enough to pose no significant risk of cancer or is significantly below levels observed to cause birth defects or other reproductive harm.

Where can I get more information on Proposition 65?

If you have specific questions on the administration or implementation of Proposition 65, you can contact OEHHA's Proposition 65 program at P65.Questions@oehha.ca.gov, or by phone at (916) 445-6900.

USER SAFETY NOTICE

Your safety is important to us. If there is any information in this manual which you do not understand, or if you require additional assistance for setup or operation, please contact your authorized Dealer. **Failure to follow the instructions, warnings, and notes in this manual and those located on your product can result in personal injury or product damage and will void the product warranty.**

II. YOUR SCOOTER

TILLER CONSOLE

The tiller console houses all controls needed to drive your scooter, including the battery condition meter, tiller display, and twist throttle. See figure 11.



PROHIBITED! Do not expose the tiller console to moisture. In the event that the tiller console does become exposed to moisture, do not attempt to operate your scooter until the tiller console has dried thoroughly.

IDENTIFICATION KEY

- | | |
|-----------------------|----------------------|
| 1. Handbrake Lever | 6. LCD Display |
| 2. Tiller Display | 7. Speed Down Button |
| 3. Speed Up Button | 8. Twist Throttle |
| 4. Mode Select Button | 9. Parking Brake Pin |
| 5. Hand Grip | |

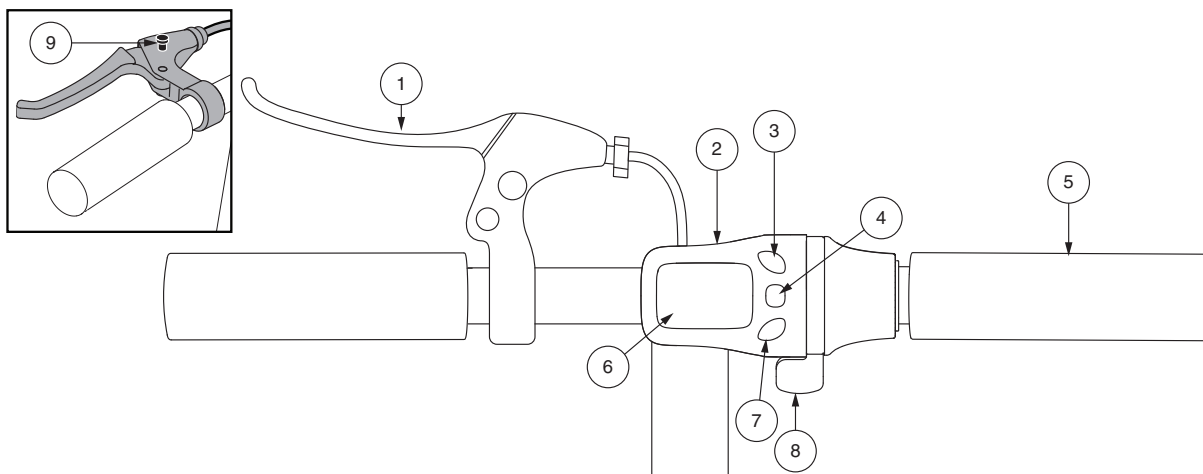


Figure 11. Tiller Console

Power Button

- Push power button on battery pack to turn your scooter on. The power button also acts as the main circuit breaker. See figure 12.

Twist Throttle

The twist throttle allows you to control the forward speed of your scooter.

- Place your right hand on the right handgrip and your left hand on the left handgrip.
- Use your right thumb to press the twist throttle control downward in order to control speed of forward movement.
- To slow your scooter, apply the handbrake.
- When the twist throttle is released, it automatically returns to the “stop” position.

Mode Select Button

Allows you to toggle through modes and illuminate the LCD display.

- Press and hold the top portion of the mode select button for two seconds to illuminate the LCD display.
- Press the bottom portion of the mode select button to toggle through the available modes. From the drive profile mode, press + or - to cycle through the available drive profiles.

II. YOUR SCOOTER

Charger Power Cord Receptacle

The 2-pin end of the charger power cord plugs into this receptacle. See figure 13.

Battery Condition Meter

When the power button is pressed to power up your scooter, this meter indicates the approximate battery voltage strength on your tiller display. For further information on battery charging, see III. “Batteries and Charging.”

Drivetrain Assembly

The drivetrain assembly is an electromechanical unit that converts electrical energy from your scooter’s batteries into the controlled mechanical energy that drives the scooter’s wheels.

Anti-Tip Wheels

The anti-tip wheels are an integral and important safety feature of your scooter. They are bolted to the frame at the rear of the scooter.



PROHIBITED! Do not remove the anti-tip wheels or modify your scooter in any way that is not authorized by your Dealer.



WARNING! The anti-tip wheels may cause interference with the smooth transition of your scooter when ascending or descending a curb. Contact your authorized Dealer for more information.

Battery Pack

Your scooter is equipped with an innovative easy-to-remove Lithium-Ion battery pack. Refer to III. “Batteries and Charging” for battery pack replacement instructions. See figures 12 and 13.

Main Circuit Breaker (Reset Button)

The power button also acts as the main circuit breaker. When the voltage in your scooter’s batteries becomes low or the scooter is heavily strained because of excessive loads or steep inclines, the main circuit breaker may trip to protect the motor and electronics from damage. See figure 12.

- The main circuit breaker reset button pops out when the breaker trips.
- When the breaker trips, the entire electrical system of your scooter shuts down.
- Allow a minute or two for your scooter’s electronics to “rest.”
- Push in the reset button to reset the main circuit breaker.
- If the main circuit breaker trips frequently, you may need to charge your batteries more often. You may also need to have your authorized Dealer perform a load test on your scooter’s batteries.
- If the main circuit breaker trips repeatedly, see your authorized Dealer for service.

IDENTIFICATION KEY

1. Power Button/Main Circuit Breaker
2. Battery Strap
3. Battery Pack
4. Battery Connector

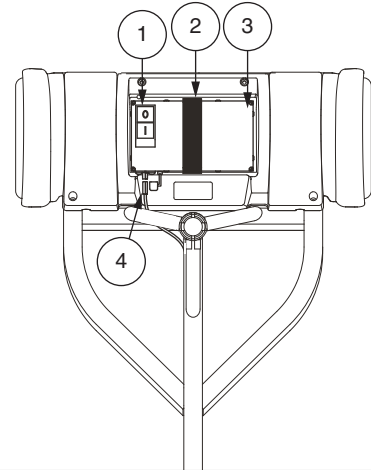


Figure 12. Battery Pack

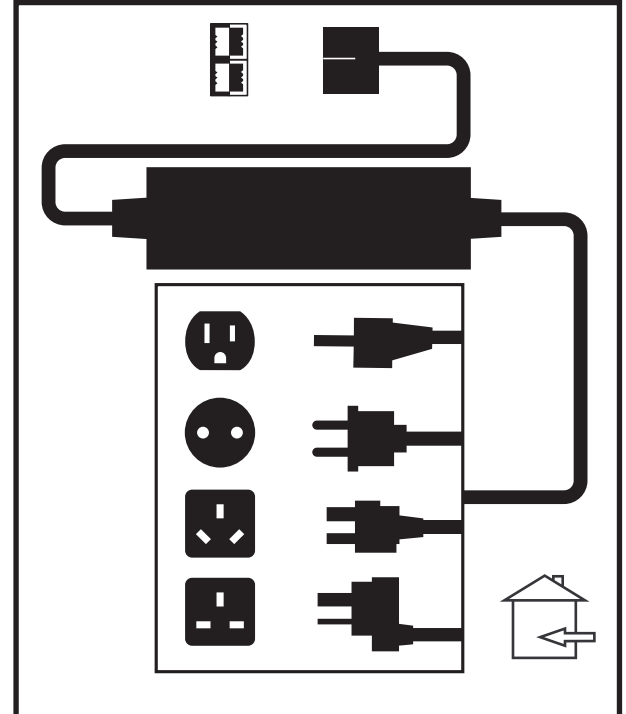


Figure 13. Off-board Battery Charger

II. YOUR SCOOTER

Off-Board Battery Charger

The off-board battery charger, when plugged into the charger power cord receptacle and a standard electrical outlet, charges the scooter's batteries. See figure 13.

BRAKING

Handbrake Lever

Engage handbrake lever to slow or stop your scooter. See figure 15.

Supplemental Brake

Your scooter is equipped with a secondary, supplemental braking system located near the front wheel. See figure 14.

To apply supplemental braking system:

1. Release twist grip throttle.
2. Return tiller to center position.
3. Gently apply supplemental brake.

NOTE: Supplemental brake is intended for occasional use only and is not meant to be used as the primary braking system.

Parking Brake

Your scooter is equipped with a parking brake, which can be locked to prevent movement once your scooter has come to a complete stop. See figure 15.

To apply parking brake:

1. Engage the handbrake lever.
2. Fully engage the parking brake pin.
3. Release the handbrake lever.
4. To release parking brake, fully squeeze the handbrake lever.

WARNING! The supplemental brake is not to be used as the primary brake system to stop your scooter. The supplemental brake should only be used as a secondary brake. Improper use of the braking systems may result in personal injury or property damage.



WARNING! Do not modify the handbrake lever in any way. If damage occurs, contact your authorized dealer for handbrake replacement.

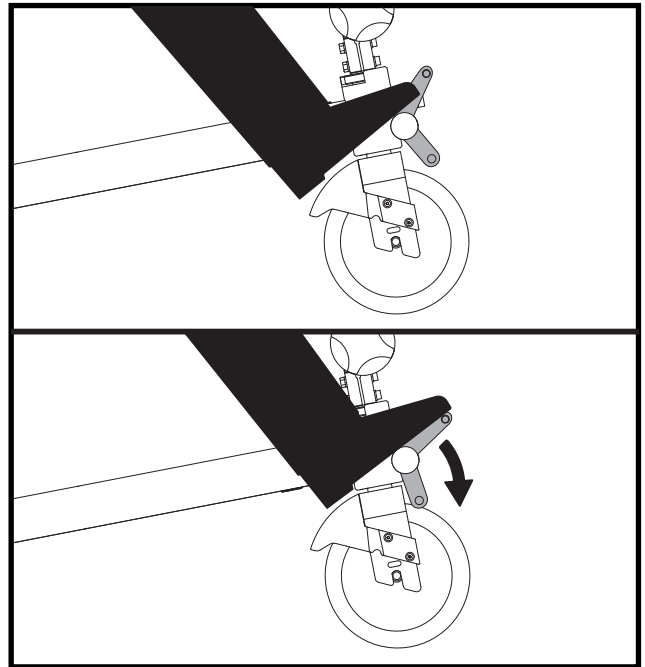


Figure 14. Supplemental Brake

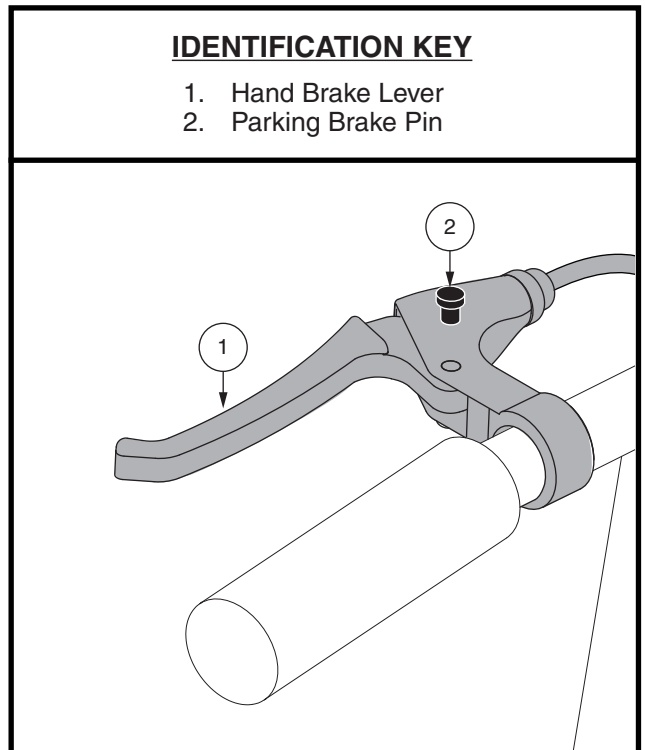


Figure 15. Handbrake Lever and Brake Lock (in the Locked Position)

III. BATTERIES AND CHARGING

BATTERIES AND CHARGING

Your scooter requires one long lasting, 36 volt Lithium-Ion battery that is sealed and maintenance-free.

- Charge your scooter's battery for at least 8 to 14 hours prior to using it for the first time.
- Keep the battery fully charged to keep your scooter running smoothly.

READING YOUR BATTERY VOLTAGE

The battery condition meter on the throttle console indicates the approximate strength of your battery using a battery icon. At full charge, the icon will display five (5) bars indicating a fully charged battery. With continued use, the bars will begin to disappear as your charge drains. Once the icon is down to displaying only one bar, an immediate recharge is necessary. See figure 16. To ensure the highest accuracy, the battery condition meter should be checked while operating your scooter at full speed on a dry, level surface.

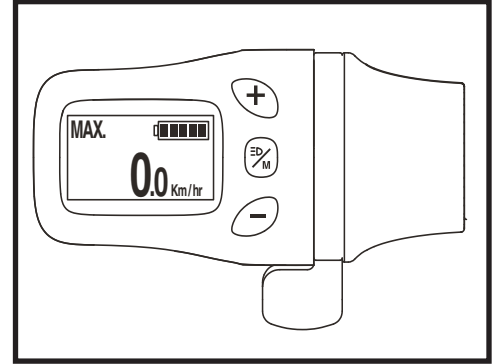


Figure 16. Battery Condition Meter

CHARGING YOUR BATTERY



PROHIBITED! Never use an extension cord to plug in your battery charger. Plug the charger directly into a properly wired standard electrical outlet.



PROHIBITED! Do not allow unsupervised children to play near the scooter while the battery is charging. We recommend that you do not charge the battery while the scooter is occupied.



MANDATORY! Read the battery charging instructions in this manual and in the manual supplied with the battery charger before charging the battery.



WARNING! Explosive gases may be generated while charging the battery. Keep the scooter and battery charger away from sources of ignition such as flames or sparks and provide adequate ventilation when charging the battery.

WARNING! You must recharge your scooter's battery with the supplied off-board charger. Do not use an automotive-type battery charger.

WARNING! Inspect the battery charger, wiring, and connectors for damage before each use. Contact your authorized Dealer if damage is found.



WARNING! Do not attempt to open the battery charger case. If the battery charger does not appear to be working correctly, contact your authorized Dealer.

WARNING! If the battery charger is equipped with cooling slots, then do not attempt to insert objects through these slots.

WARNING! Be aware that the battery charger case may become hot during charging. Avoid skin contact and do not place on surfaces that may be affected by heat.



WARNING! Your battery charger has not been tested and approved for outdoor use. Do not expose it to adverse or extreme weather conditions. If the battery charger is exposed to adverse or extreme weather conditions, then it must be allowed to adjust to the difference in environmental conditions before use indoors. Refer to the manual supplied with the battery charger for more information. Your scooter should only be charged in an area where the room temperature is between 32°F/0°C and 113°F/45°C.

III. BATTERIES AND CHARGING

Follow the 6 easy steps in figure 17 to charge your batteries safely:

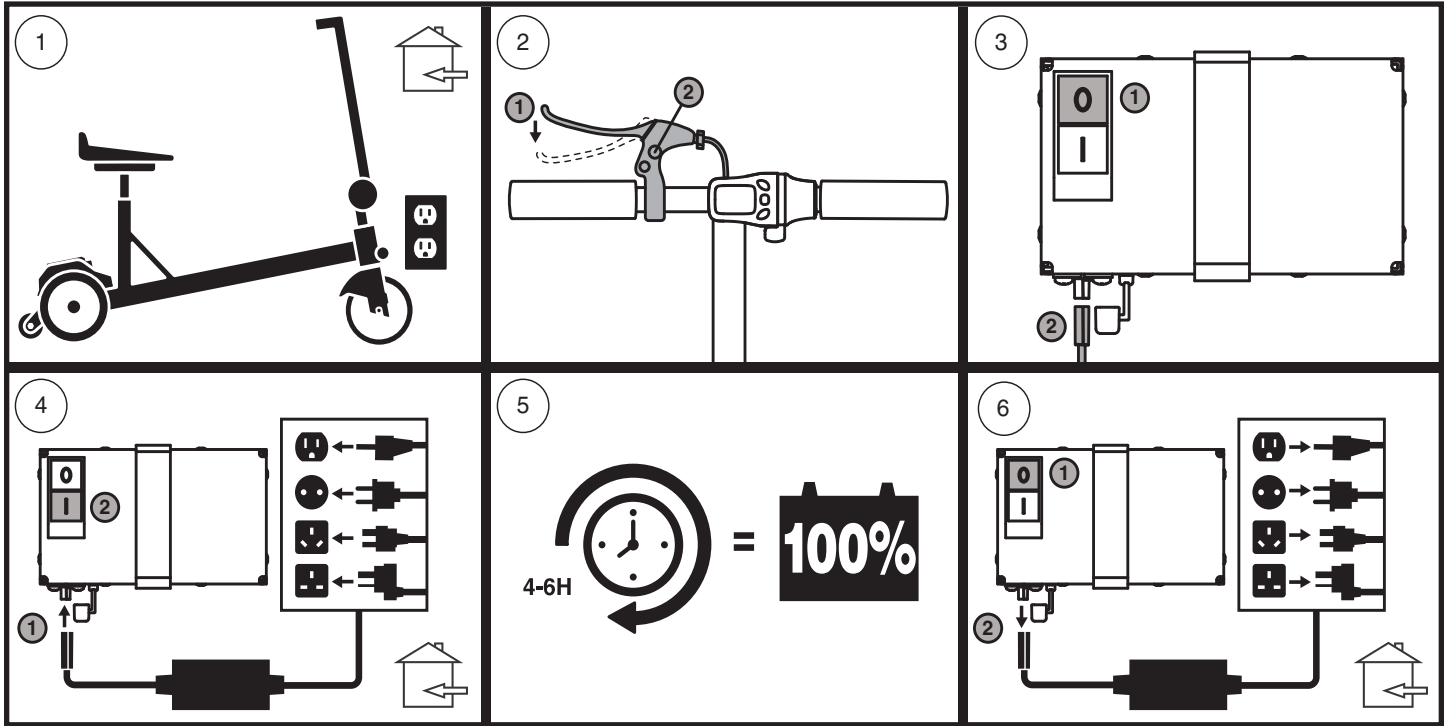


Figure 17. Battery Charging Procedures Diagram



WARNING! The LED lights on the charger indicate different charger conditions at various times. If the LED does not indicate that charging is complete within 24 hours, unplug the charger from the outlet and contact your Dealer. Refer to the operating instructions supplied with the charger for a complete explanation of these indicators.

FREQUENTLY ASKED QUESTIONS

How does the charger work?

When your scooter's battery voltage is low, the charger works harder, sending more electrical current to the battery to bring up its charge. As the battery approaches a full charge, the charger sends less and less electrical current. When the battery is fully charged, the current sent from the charger is at nearly zero amperage. Therefore, when the charger is plugged in, it maintains the charge on your scooter's battery, but does not overcharge them. Refer to the manual supplied with the battery charger for charging instructions.

Can I use a different charger?

Chargers are selected precisely for particular applications and are especially matched to the type, size, and chemical formulation of specific batteries. For the safest and most efficient charging of your scooter's batteries, we recommend use of the charger supplied as original equipment with your product only.

What if my scooter's battery will not charge?

- Ensure that the circuit breaker on the battery pack is in working condition.
- Ensure both ends of the charger power cord are inserted fully.

III. BATTERIES AND CHARGING

How often must I charge the battery?

Many factors come into play when deciding how often to charge the battery. You may use your scooter all day on a daily basis or you may not use it for weeks at a time.

- If you use your scooter on a daily basis, charge the battery as soon as you are finished using your scooter. Your scooter will be ready each morning to give you a full day's service. It is recommended that you charge the battery at least 4 to 6 hours after daily use. It is recommended that you charge your battery for an additional 4 hours after the battery charger indicates that charging is complete.
- If you use your scooter infrequently (once a week or less), you should charge the battery at least once per week for 4 to 6 hours.

***NOTE:** Keep your battery fully charged and avoid deeply discharging your battery. Refer to the manual supplied with the battery charger for charging instructions.*

How can I ensure maximum battery life?

A fully charged battery will provide reliable performance and extended battery life. Keep your scooter's battery fully charged whenever possible.

***NOTE:** The useful life of a battery is quite often a reflection of the care it receives.*

What type and size of battery should I use?

Only use the battery supplied by Manufacturing/Authorized Dealers.

III. BATTERIES AND CHARGING

NOTE: Sealed batteries are not serviceable. Do not remove the caps.

What about public transportation?

Your iRIDE Lithium-Ion battery has been tested and complies with United Nations Transport Regulations standard UN38.3 and conforms to 49 CFR 175.10(a)(17).

NOTE: Airline policies and regulations may vary. Check with individual airline prior to travel.

How do I change the battery in my scooter?



MANDATORY! All iRIDE batteries must be purchased from an authorized Dealer. The battery pack must not be opened.

WARNING! Contact your Dealer if you have any questions regarding the battery in your scooter.



WARNING! Do not replace the battery while the scooter is occupied.

WARNING! Do not pull on electrical lead wires directly to detach them from the scooter. Always grasp the connector itself when disconnecting the lead to prevent wire damage.

To change the battery pack, see figure 18:

1. Ensure the battery pack power button is off.
2. Disconnect the black and red wires that go directly to the battery.
3. Unfasten the battery strap.
4. Remove the old battery pack from the scooter.
5. Install the new battery pack onto scooter.
6. Fasten the battery strap.
7. Connect the black and red wires on the new battery pack to the scooter.

NOTE: Contact your local waste disposal agency or authorized Dealer for information on proper battery disposal.

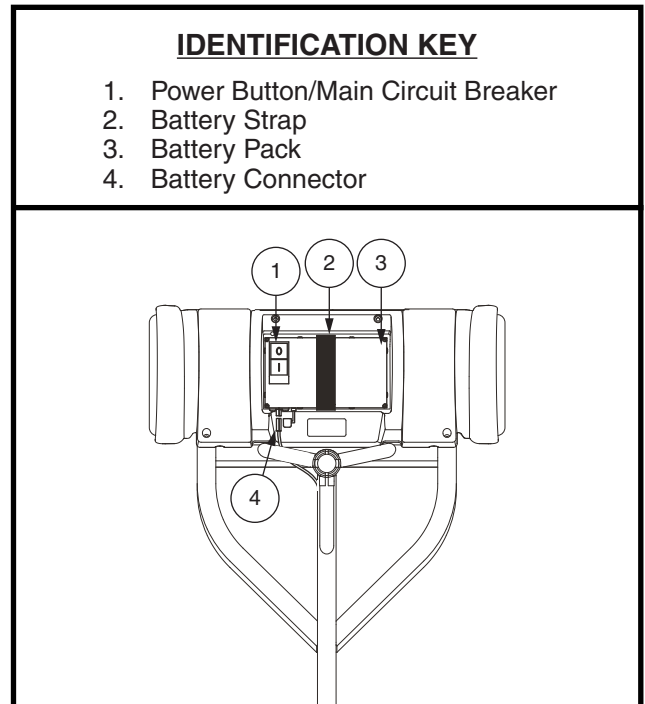


Figure 18. Battery Pack Replacement

IV. OPERATION

PRE-RIDE SAFETY CHECK

Get to know the feel of your scooter and its capabilities. We recommend that you perform a safety check before each use to make sure your scooter operates smoothly and safely.

Perform the following inspections prior to using your scooter:

- Check the condition of the tires. Make sure they are not damaged or excessively worn.
- Check all electrical connections. Make sure they are tight and not corroded.
- Check all lead connections. Make sure they are secured properly.
- Check the brakes to ensure they operate properly.
- Check the battery condition meter to ensure the battery is fully charged.
- Ensure the parking brake is engaged before sitting on the scooter.

PRE-RIDE ADJUSTMENTS AND CHECKS

- Is the seat secured into place?
- Is your proposed path clear of people, pets, and obstacles?
- Have you planned your route to avoid adverse terrain and as many inclines as possible?

NOTE: Use caution when operating your scooter on delicate surfaces as scuffing and/or marking may occur.

BEFORE GETTING ONTO YOUR SCOOTER

- Have you fully charged the battery? See III. “Batteries and Charging.”
- Ensure the tiller release knob is in the locked position. See VI. “Disassembly and Assembly.”
- Ensure the parking brake is engaged.
- Ensure the air temperature is between -4°F/-20°C to 140°F/60°C.
- Ensure the power switch is in the “OFF” position. See figure 12.

GETTING ONTO YOUR SCOOTER

1. Stand at the side of your scooter.



WARNING! Never attempt to get onto or off your scooter with the scooter “ON”. Ensure parking brake is engaged prior to sitting on the scooter.

2. Make certain that the seat is secured into position.
3. Position yourself comfortably and securely in the seat.
4. Turn the power button “ON.”
5. Make certain your feet are safely on the foot pegs.

IV. OPERATION

OPERATING YOUR SCOOTER



WARNING! The following can adversely affect steering and stability while operating your Scooter:

- Holding onto or attaching a leash to walk your pet.
- Carrying passengers (including pets).
- Hanging any article from the tiller.
- Towing or being pushed by another motorized vehicle.

WARNING! Keep both hands on the tiller and your feet on the foot pegs at all times while operating your Scooter. This driving position gives you the most control over your vehicle.

- Push power button on. See figure 12.
- Pull the appropriate side of the handle bar grips. Right if you want to go right, left if you want to go left.
- Always start in the lowest speed setting. Push decrease speed button on the tiller console. See figure 11.
- Rotate the twist throttle toward you to move forward.
- To go straight, move to the center position.
- To stop, release the twist throttle and engage the handbrake.

GETTING OFF OF YOUR SCOOTER

1. Bring your Scooter to a complete stop.



WARNING! Never attempt to get onto or off of your scooter with it still on. This will prevent the Scooter from moving if accidental twist throttle contact is made.

2. Press the “OFF” button on the battery pack.
3. Set the parking brake by engaging the handbrake lever and engage the locking pin.
4. Carefully and safely get out of the seat and stand to the side of your Scooter.

V. COMFORT ADJUSTMENTS

SEAT HEIGHT ADJUSTMENT

The seat can be repositioned to different heights. See figure 19.

1. Loosen the cam lever.
2. Remove bowtie cotter pin from clevis pin by rotating it and removed it from the hole in the end of the clevis pin.
3. Remove clevis pin from the seat post.
4. Raise or lower the seat and its attached seat post to the desired seat height
5. While holding the seat at the desired height, align the adjustment holes of the seat with the lower seat post slot.
6. Fully insert clevis pin
7. Insert the open end of bowtie cotter pin into the hole at the end of the clevis pin and rotate it until the rounded section is around the clevis pin.
8. Tighten the cam lever.

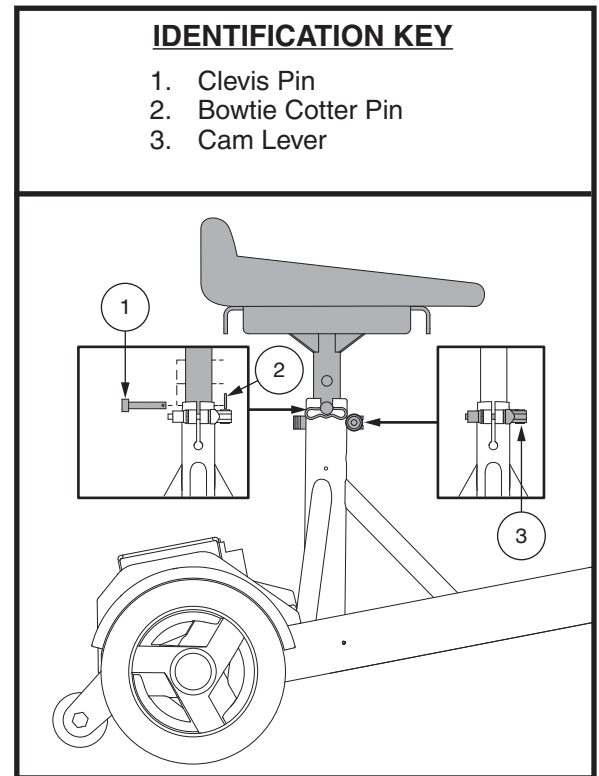


Figure 19. Seat Height Adjustment

VI. DISASSEMBLY AND ASSEMBLY

DISASSEMBLY

For your convenience, the iRIDE can be disassembled for storage and transport.



WARNING! Do not lift weight beyond your physical capability. Ask for assistance when needed while disassembling or assembling your scooter.

BATTERY POWER DOWN

Ensure the battery pack is turned “OFF.” See figure 12.

SEAT REMOVAL

1. Loosen the cam lever.
2. Remove the seat by lifting it straight up and off of the scooter.

TILLER RELEASE

To release the tiller, loosen the Tiller Release Knob until the tiller loosens and slowly folds down. See figure 20. If you encounter resistance when folding the tiller down, firmly grasp the center of the tiller and apply slight pressure to the tiller while pushing it downward.

NOTE: In order to fully lower the tiller, you must first remove the seat.

To secure the tiller in the vertical position, hold the tiller fully upright while tightening the Tiller Release Knob.

SEAT REPLACEMENT

1. While holding the seat, align the adjustment holes on the seat and lower seat post slot and insert post. See figure 19.
2. Insert the detent pin into the lower seat post.
3. Tighten cam lever.

BATTERY REMOVAL

1. Ensure the battery pack is turned “OFF.”
2. Unplug the battery connector from the battery pack.
3. Remove the battery strap and lift upward and remove the battery.

FOLDING FOR TRANSIT

1. Loosen the tiller release knob until the tiller loosens and slowly folds down.
2. Tighten the tiller release knob.
3. Wrap the tiller strap firmly around the main beam using the reusable hook and loop fastener to secure the straps. See figure 21.

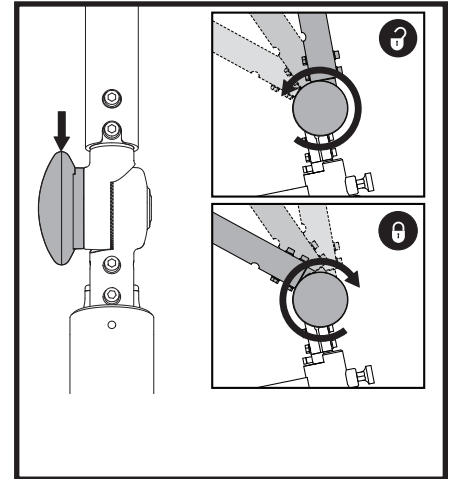


Figure 20. Tiller Release Knob

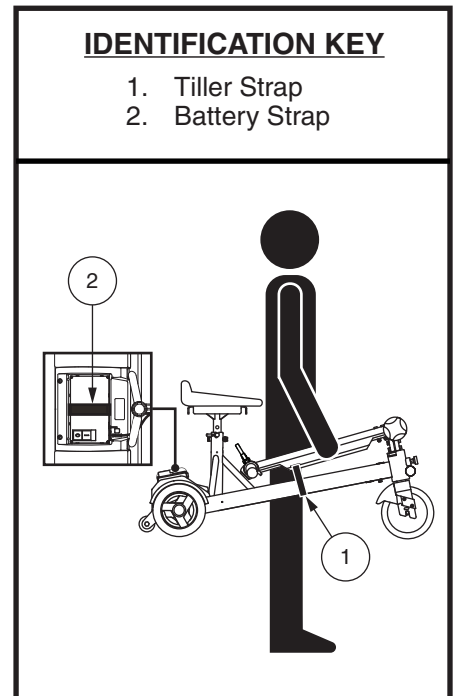


Figure 21. Folding for Transport

VII. BASIC TROUBLESHOOTING

What if all the systems on my scooter seem to be “dead”?

- Make certain that the power button is turned “ON.”
- Check that the battery is fully charged.
- Make sure that the battery pack and its wires are connected tightly and correctly.
- Make certain that the battery pack is seated properly.

What if the scooter’s battery won’t charge?

- Ensure both ends of the charger power cord are connected properly.
- If the battery pack circuit breaker continually blows, contact your authorized Dealer for service.
- Ensure the power button on the battery pack is “ON.”

What if the main circuit breaker repeatedly trips?

- If the main circuit breaker trips repeatedly, see your authorized Dealer for service.
- Charge the scooter’s battery pack more frequently. See III. “Batteries and Charging.”
- See III. “Batteries and Charging” or “Product Specifications Sheet” for information about your scooter’s battery type.

VIII. CARE AND MAINTENANCE

Your scooter requires a minimal amount of care and maintenance. If you do not feel confident in your ability to perform the maintenance listed below, you may schedule inspection and maintenance at your authorized Dealer. The following areas require periodic inspection and/or care and maintenance.

TIRES

Regularly inspect your scooter's tires for signs of damage or wear.

WHEEL REPLACEMENT

Your scooter is equipped with solid tire inserts. If you have a damaged or worn tire, the entire wheel must be replaced. Contact your authorized Dealer for information regarding replacement wheels for your scooter.



WARNING! Wheels on your scooter should only be serviced/replaced by a qualified technician.
WARNING! Be sure that the scooter is "OFF" and the battery cord is not connected before performing this procedure.

EXTERIOR SURFACES

Bumpers, tires, and trim can benefit from an occasional application of a rubber or vinyl conditioner.



WARNING! Do not use a rubber or vinyl conditioner on the scooter's vinyl seat or tire tread. They will become dangerously slippery.

CLEANING AND DISINFECTION

- Use a damp cloth and mild, non-abrasive cleanser to clean the plastic and metal parts of your scooter. Avoid using products that may scratch the surface of your scooter.
- If necessary, clean your product with an approved disinfectant. Make sure the disinfectant is safe for use on your product before application.



WARNING! Follow all safety instructions for the proper use of the disinfectant and/or cleaning agent before applying it to your product. Failure to comply may result in skin irritation or premature deterioration of upholstery and/or scooter finishes.

BATTERY PACK CONNECTIONS

Make certain that the battery pack terminal connectors are tight and not corroded.

WIRING LEADS

- Regularly check all wiring connections.
- Regularly check all wiring insulation, including the charger power cord, for wear or damage.
- Have your authorized Dealer repair or replace any damaged connector, connection, or insulation that you find before using your scooter again.



PROHIBITED! Even though the scooter has passed the necessary testing requirements for ingress of liquids, you should keep electrical connections away from sources of dampness, including direct exposure to water or bodily fluids and incontinence. Check electrical components frequently for signs of corrosion and replace as necessary.



WARNING! Do not pull on electrical cords directly to detach them from the scooter. Always grasp the connector itself when disconnecting the cords to prevent wire damage.

VIII. CARE AND MAINTENANCE

DAILY CHECKS

- With the power turned “OFF”, check the twist throttle. Make sure it is in the neutral position when you turn it. Do not try to repair it. See your authorized Dealer if there is a problem.
- Visually inspect all of the cables in the tiller. Make sure none are frayed, cut or have any wires exposed. See your authorized Dealer if there is a problem.
- Check for flat spots on solid tires. Flat spots could adversely affect stability.
- Check the brakes. This test should be carried out on a level surface with at least 3 feet (1 meter) of clearance around your scooter
- Check the brake handles and wires daily. Contact your authorized Dealer if there is a problem.

To check the brakes:

1. Turn on the power on the battery pack.
2. Make sure all brake line connections are secure.
3. Rotate the twist throttle to accelerate and engage the brake lever towards you. Make sure the scooter slowly comes to a stop.

WEEKLY CHECKS

- Inspect the tiller console, battery pack, and front tire for any corrosion. Contact your authorized Dealer if necessary.

MONTHLY CHECKS

- Check for tire wear. See your authorized Dealer for repair.
- Keep your scooter clean and free of foreign material such as mud, dirt, hair, food, drink, etc.

YEARLY CHECKS

Take your scooter to your authorized Dealer for yearly maintenance, especially if you use your scooter on a daily basis. This helps ensure that your scooter is functioning properly and helps prevent future complications.

FENDERS

If your scooter has a fender with a **glossy finish**, the fender has been sprayed with a clear sealant coating. You can apply a light coat of car wax to help it retain its high-gloss appearance. If your scooter has a fender with a **matte finish**, use **ONLY** products developed for matte-finish paint. Do not use wax, detail spray, ArmorAll®, or any product made for glossy paint.



WARNING! Carefully choose the correct product to protect the finish of your scooter's fender(s). ONLY products developed for matte-finish paint should be used on fenders with a matte finish. Failure to follow this warning may result in damage to the fender's matte paint finish.

AXLE BEARINGS AND DRIVETRAIN ASSEMBLY

These items are all prelubricated, sealed, and require no subsequent lubrication.

CONSOLE, CHARGER AND REAR ELECTRONICS

- Keep these areas free of moisture.
- Allow these areas to dry thoroughly if they have been exposed to moisture before operating your scooter again.

NYLON LOCK NUT REPLACEMENT

Any nylon insert lock nut removed during the periodic maintenance, assembly, or disassembly of the scooter must be replaced with a new nut. Nylon insert lock nuts should not be reused as it may cause damage to the nylon insert, resulting in a less secure fit. Replacement nylon insert lock nuts are available at local hardware stores or through your authorized Dealer.

VIII. CARE AND MAINTENANCE

STORING YOUR SCOOTER

If you plan on not using your scooter for an extended period of time, it is best to:

- Fully charge its battery prior to storage.
- Remove the battery pack from the scooter.
- Store your scooter in a warm, dry environment.
- Avoid storing your scooter where it will be exposed to temperature extremes.
- Recommended storage temperature: -40°F/-40°C to 149°F/65°C.

Batteries that are regularly and deeply discharged, infrequently charged, stored in extreme temperatures, or stored without a full charge may be permanently damaged, causing unreliable performance and limited service life. It is recommended that you charge the scooter battery periodically throughout periods of prolonged storage to ensure proper performance.



WARNING! Always protect battery from freezing temperatures and never charge a frozen battery. Charging a frozen battery can result in damage to the battery.

For prolonged storage, you may wish to place several boards under the frame of your scooter to raise it off of the ground. This takes the weight off the tires and reduces the possibility of flat spots developing on the areas of the tires contacting the ground.

DISPOSAL OF YOUR SCOOTER

Your scooter must be disposed of according to applicable local and national statutory regulations. Contact your local waste disposal agency or authorized Dealer for information on proper disposal of packaging, metal frame components, plastic components, electronics, battery, neoprene, silicone, and polyurethane materials.



WARNING! Plastic bags are a suffocation hazard. Dispose of plastic bags properly and do not allow children to play with them.

NOTES



MONTAGE



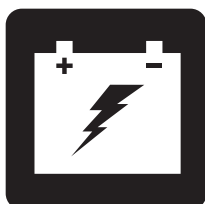
FONCTIONNEMENT



CONFORT



ENTRETIEN



RECHARGE DES BATTERIES



iRIDE™ (S25)

MANUEL DE L'UTILISATEUR

CONSIGNES DE SÉCURITÉ



MISE EN GARDE! Votre marchand autorisé ou un technicien qualifié doit faire le montage initial de ce scooter et suivre toutes les procédures énumérées dans ce manuel.

Les symboles suivants sont utilisés tout au long de ce manuel pour identifier les mises en garde et moments d'attention particulière. Il est important de les comprendre et de les suivre à la lettre.



MISE EN GARDE! Indique une condition/situation potentiellement dangereuse. Vous devez respecter les consignes sous peine de vous blesser, de causer des dommages ou un mauvais fonctionnement. Ce pictogramme apposé sur le produit est de couleur noire sur un triangle jaune avec bordure noire.



OBLIGATOIRE! Ces actions doivent être exécutées selon les consignes sous peine de vous blesser, et/ou d'endommager l'appareil. Ce pictogramme apposé sur le produit est de couleur blanche avec un point bleu et bordure blanche.



INTERDIT! Ces actions sont interdites. Vous ne devez sous aucune considération, entreprendre ces actions. Ces actions peuvent entraîner des blessures et/ou dommages à votre équipement. Ce pictogramme apposé sur le produit est de couleur noire avec un rond rouge et barre rouge.



PROPOSITION 65 DE LA CALIFORNIE MISE EN GARDE! Ce produit peut contenir des substances connues de l'état de Californie pour causer le cancer et des malformations congénitales ou autres problèmes de reproduction. Pour plus d'informations, visitez www.P65Warnings.ca.gov.

UTILISATION PRÉVUE

L'utilisation prévue de ce scooter Pride Mobility Products® est de fournir de la mobilité aux personnes qui utilisent pleinement leurs extrémités supérieures et inférieures et qui sont capables de se soutenir en position verticale. Ce produit est principalement destiné à une utilisation en intérieur et les capacités extérieures sont limitées aux surfaces dures, planes et uniformes telles que le béton, le dessus noir et d'autres surfaces similaires. Bien que nous comprenions que les capacités extérieures du scooter sont limitées, lorsque vous conduisez près d'obstacles inégaux, suivez les consignes de sécurité décrites dans la section sécurité de ce manuel.

Ce produit n'est pas un dispositif médical et n'est pas destiné à aider, traiter, diagnostiquer ou atténuer toute condition médicale ou invalidité.

NOTE: Ce manuel a été préparé à partir des spécifications et informations disponibles au moment de sa publication. Nous réservons le droit d'apporter des changements lorsque il est nécessaire. Certains changements peuvent causer de légères variations entre les illustrations, les explications de ce manuel et l'appareil que vous avez acheté. La dernière version de ce manuel est sur notre site Internet.

NOTE: Ce produit répond aux exigences et respecte les directives des normes WEEE, RoHS et REACH.

NOTE: Ce produit conforme à la classification IPX4 (IEC 60529).

NOTE: Le scooter et ses composants ne sont pas fabriqués avec du latex de caoutchouc naturel. Consultez le fabricant en ce qui concerne les accessoires après-vente.



TABLE DES MATIERES

CONSIGNES DE SECURITE	38
INTRODUCTION	40
I. SECURITE	41
II. VOTRE SCOOTER	57
III. BATTERIES ET RECHARGE	60
IV. FONCTIONNEMENT	64
V. REGLAGES CONFORT	66
VI. MONTAGE ET DEMONTAGE	67
VII. PROBLEMES ET SOLUTIONS	68
VIII. SOINS ET ENTRETIEN	69

INTRODUCTION

SECURITE

Votre scooter est un appareil aux lignes modernes et attrayantes, fabriqué selon une technologie d'avant-garde mais surtout **sécuritaire** et confortable. Nous sommes convaincus que sa fiabilité, ses fonctionnalités et les services qu'il vous rendra feront de vous un propriétaire satisfait. Lorsque vous serez accoutumé avec le fonctionnement **sécuritaire** et l'entretien de votre scooter, celui-ci vous fournira plusieurs années de service sans problèmes.

Lisez et suivez toutes les instructions, mises en garde et notes contenues dans ce manuel avant de tenter d'utiliser votre scooter pour la première fois. Vous devez de plus, lire toutes les instructions, mises en garde et notes contenues dans le manuels d'instructions supplémentaires du qui accompagnent votre scooter avant de l'utiliser pour la première fois. Votre **sécurité** dépend de l'attention et du bon jugement que vos proches et vos professionnels y porteront

Si vous ne comprenez pas quelque information contenue dans ce manuel ou si vous avez besoin d'aide pour préparer ou faire fonctionner votre appareil, S.V.P. contactez votre marchand. **Le non-respect des instructions contenues dans ce manuel et/ou sur les autocollants apposés sur votre appareil peut provoquer des accidents avec blessures, des dommages et entraîner l'annulation de la garantie.**

CONVENTION A L'ACHAT

En acceptant ce produit, vous vous engagez à ne pas modifier, altérer, enlever ou rendre inutilisables les protecteurs, gardes de sécurité et/ou dispositifs de sécurité. Vous vous engagez à ne pas refuser ni négliger de faire installer les trousse de mise à jour au besoin, fournies afin de maintenir ou améliorer l'aspect sécuritaire de votre scooter.

TRANSPORT ET RECEPTION DU SCOOTER

Vérifiez que vous avez bien reçu l'ensemble des composantes avant d'utiliser votre scooter car certaines composantes peuvent avoir été emballées séparément. Si des pièces sont manquantes, S.V.P. contactez votre marchand autorisé immédiatement. Si vous constatez des dommages au contenant ou au contenu subis lors du transport, contactez le transporteur responsable.

NOTE: Si vous perdez ou égarez votre manuel du propriétaire, téléphonez ou écrivez-nous, ce sera avec plaisir que nous vous ferons parvenir immédiatement des documents de remplacement.

I. SECURITE

GENERAL



MISE EN GARDE! Ne prenez pas votre scooter pour la première fois sans avoir lu et compris les instructions et consignes de sécurité contenues dans ce manuel.

Si vous découvrez un problème, contactez votre marchand autorisé pour obtenir de l'aide. Référez-vous aux informations de contact qui sont incluses dans votre paquet du propriétaire.

PICTOGRAMME DE SECURITE

Les pictogrammes ci-dessous sont utilisés sur le scooter pour indiquer les actions obligatoires, mises en garde et actions prohibées. Il est très important de les lire et de bien les comprendre.



Lisez et respectez les consignes et informations contenues dans ce manuel.



Plaques des information



Rechargez les batteries complètement avant l'utilisation.

Mettez le bouton d'alimentation de la batterie en position d'arrêt sur un scooter.



ou



Ce scooter n'est pas conforme à la norme ISO 7176-19 pour être occupé (personne prenant place sur le siège du scooter) pendant le transport dans un véhicule en marche. Ne vous asseyez pas dans votre scooter lorsque celui-ci est dans un véhicule en mouvement.



Fabriqué en



Indique une situation potentiellement dangereuse qui doit être évitée afin de prévenir un accident mortel ou de graves blessures. Des dommages à la propriété peuvent en découler également.



Indique un danger de décharge électrique.



EMI/RFI—Ce produit a subi et réussi le test de niveau d'immunité d'interférence radio magnétique de 3 V/m.



Indique un danger d'explosion.

I. SECURITE



Les batteries contiennent des produits corrosifs.



Indique surface chaude. Eviter le contact.



Indique une action obligatoire afin de prévenir ou éviter une condition/situation dangereuse. Des blessures corporelles et des bris d'équipement peuvent survenir si ces actions obligatoires ne sont pas faites.



Indique la capacité de poids maximale. N'excédez pas la limite spécifiée pour votre produit.



DOT 49 CFR 175.106(i)(7)

Cette batterie a été testée et est conforme à la norme UN38.3 du Règlement des Transports des Nations Unies. Vérifiez avec la compagnie aérienne avant de voyager.



Protéger des sources de chaleur.



Vous devez disposer de votre produit selon les règlements de votre localité. Contactez les autorités locales pour connaître les informations sur la mise au rebus des éléments suivant: emballage, composants en métal, plastique, électronique, batteries, néoprène, silicone et polyuréthane.



Contactez votre centre de recyclage ou votre marchand autorisé pour les informations sur la mise aux rebus ou le recyclage des composants de votre appareil.



Indique que ce produit doit être utilisé à l'intérieur seulement.



Gardez cet endroit propre.



Gardez cet endroit bien au sec.



Indique une action interdite qui ne doit pas être exécutée sous aucune considération sous peine de provoquer un accident avec blessures et dommages matériels.



Tenez les outils et autres objets en métal loin des bornes des batteries. Un contact avec un outil en métal peut provoquer une décharge électrique.

I. SECURITE



Ne laissez pas d'enfants jouer sans surveillance près des batteries pendant la recharge.



N'utilisez pas de cordon de rallonge électrique pour brancher le chargeur à batteries ou le convertisseur AC/DC.



N'utilisez pas de téléphone cellulaire, walkie-talkie, ordinateur portable ou autre radio émetteur lorsque en fonction.



Indique que ce matériau est inflammable. Ne l'exposez pas à une source de chaleur, à une flamme ou à des étincelles. Ne transportez pas les batteries en compagnie de matériau inflammable ou des combustibles.



Ne tentez pas de modifier ou de réparer votre appareil de mobilité. Contactez votre marchand autorisé pour obtenir du service ou des réparations.



Autant que possible, évitez d'exposer à la pluie, la neige, la glace, le sel ou à de l'eau stagnante. Gardez le produit bien propre et au sec.



N'enlevez pas les roulettes antibascule.



Garder les mains, les vêtements et tout autre objet à l'écart des roues lors de la conduite. Ne pas laisser d'effets personnels ou des objets trainer derrière le scooter motorisé lors de la conduite. Soyez conscient que des vêtements amples ou d'autres objets peuvent se coincer dans les roues et/ou ils peuvent s'empêtrer dans le train de roulement.

I. SECURITE

Consigne générales de sécurité

Votre scooter est un dispositif de pointe d'amélioration de la vie, conçu pour accroître la mobilité. Nous offre une grande gamme de produits pour mieux répondre aux besoins individuels de l'utilisateur du scooter. S'il vous plaît soyez conscient que la sélection finale et la décision d'achat concernant le type de scooter à utiliser est la responsabilité de l'utilisateur du scooter, qui est capable de prendre une telle décision.

MISE EN GARDE! Ne pas faire fonctionner votre chaise électrique pour la première fois sans avoir complètement lu et compris toutes les informations disponible pour votre scooter, y compris mais pas limité aux étiquettes de sécurité, le guide d'utilisation et les livrets d'instructions complémentaires.

MISE EN GARDE! L'iRIDE n'est pas destiné à être utilisé par une personne qui ne peut pas subvenir à ses besoins en position debout.

MISE EN GARDE! Avant d'utiliser votre scooter, familiarisez-vous avec l'emplacement et l'utilisation des commandes, notamment le timon de direction, Accélérateur Tournante et le frein à main de freinage. Pendant le fonctionnement, sauf si vous tenez le frein à main, gardez toujours les deux mains sur le timon pour assurer un fonctionnement en toute sécurité du scooter. Ne pas relâcher accélérateur et engager le frein à main lors de l'arrêt du scooter peut entraîner une collision avec des personnes ou des objets, pouvant entraîner des dommages matériels, des blessures ou la mort.



MISE EN GARDE! L'iRide est conçu pour fonctionner sur des surfaces planes et planes, que ce soit à l'intérieur ou à l'extérieur. Les exemples de «intérieur» comprennent généralement, mais sans s'y limiter, le linoléum, le bois dur, les carreaux, les moquettes sans poils et à poils ras. Les exemples de «extérieur» incluent généralement, mais sans s'y limiter, le béton, l'asphalte, le macadam et certaines configurations de briques raffinées. N'utilisez pas votre scooter sur ou près de surfaces inégales telles que des escaliers, des tombants, des rebords, de l'herbe, du gravier, du sable, du paillis, de la saleté, de la boue ou du béton détérioré, de l'asphalte ou d'autres surfaces inégales. Le non-respect de cet avertissement peut endommager le produit ou provoquer une instabilité et un basculement entraînant des blessures ou la mort.

Ce qui suit sont des précautions, des conseils et d'autres considérations de sécurité destinés à vous aider à vous habituer à utiliser votre scooter en toute sécurité. Bien que nous reconnaissons que les utilisateurs de scooters développeront éventuellement des compétences pour gérer les activités quotidiennes, qui peuvent différer de celles présentées dans ce guide, il est impératif que toutes les consignes de sécurité dans ce manuel soient respectées afin d'assurer la sécurité des utilisateurs. Omettre de respecter les consignes de sécurité dans ce manuel ou d'autres manuels fournis par le fabricant, et ceux situés sur votre scooter, pourraient entraîner des blessures corporelles ou des dommages à votre scooter et peut résulter en une annulation de la garantie du produit.

Modifications

Nous avons conçu et construit votre scooter pour qu'il soit le plus utile possible et qu'il vous procure un maximum de mobilité. Toutefois, en aucun cas vous ne devez modifier, ajouter, supprimer ou désactiver tout dispositif, une partie, ou une fonction de votre scooter.

MISE EN GARDE! Ne modifiez votre scooter d'aucune façon à moins d'avoir été autorisé par votre marchand autorisé. N'utilisez pas des accessoires s'ils n'ont pas été testés ou approuvés pour les produits. Les accessoires autorisés doivent être installés par votre marchand autorisé ou par un technicien de service qualifié.



MISE EN GARDE! L'ajout d'accessoires au scooter peut changer le poids total, la taille et/ou le centre de gravité de votre scooter. Il est important de prendre note de ces changements pour éviter des dommages au scooter et à la propriété environnante.



MISE EN GARDE! N'ajoutez aucune roue anti-renversement ni aucune amélioration de la stabilité du corps. Cela pourrait diminuer la garde au sol et favoriser l'instabilité lorsque l'utilisateur entre en contact avec une surface surélevée. Nous reconnaissons que certains produits de grande capacité pondérale ont des roues anti-basculement latérales. Celles-ci sont destinées à améliorer la stabilité du produit pendant le transfert sur et hors du scooter et n'améliorent pas la stabilité dynamique du scooter.

La configuration du centre de gravité de votre système de siège a été réglée en usine à une position qui répond aux besoins de la majorité démographique des utilisateurs.

I. SECURITE



MISE EN GARDE! Ne pas modifier la configuration du siège sans d'abord contacter votre marchand agréé. Seul votre marchand autorisé ou un technicien qualifié devrait faire des ajustements à la configuration du système de siège.



MISE EN GARDE! Ne pas utiliser de systèmes de siège sur votre scooter qui n'ont pas été préalablement testés et approuvés pour votre scooter. L'utilisation de systèmes de sièges non approuvés peut affecter le centre de gravité de votre scooter, résultant en un basculement ou une chute.

Vous ne devez pas modifier le système électrique de quelque manière que ce soit non autorisée par le fabricant du scooter.

MISE EN GARDE! Ne pas brancher des périphériques du marché secondaire ou auxiliaires au système électrique du scooter ou utiliser les batteries du scooter afin d'alimenter des dispositifs du marché secondaire ou auxiliaires, sauf si vous utilisez un adaptateur qui a été testé et approuvé par le fabricant du scooter. Ne pas couper ou épisser les fils, câbles ou faisceaux de l'équipement d'origine dans le but d'ajouter des périphériques du marché secondaire ou auxiliaires au scooter, car cela peut entraîner des dommages au système électrique et aux batteries.



MISE EN GARDE! Ne tirez pas directement sur les câbles électriques pour les détacher du scooter. Toujours saisir le connecteur pour débrancher le câble pour éviter d'endommager le câble.



MISE EN GARDE! Assurez-vous que les connecteurs du cordon d'alimentation du chargeur externe sont propres et secs avant de brancher les connecteurs dans la prise externe du chargeur ou dans la prise de courant. Entretenez le cordon du chargeur régulièrement. Omettre cette consigne pourrait entraîner des dommages au système électrique et/ou des blessures.

MISE EN GARDE! Dans le cas d'une perte de puissance du scooter, allez à un endroit sûr, cherchez de l'aide si nécessaire. Contactez votre marchand autorisé immédiatement pour signaler l'incident.

Limites de poids

Votre scooter est évalué pour une capacité maximale de poids. S'il vous plaît se référer au tableau des spécifications fournies avec le scooter pour voir cette limite. Le poids maximum des capacités comprend le poids combiné de l'utilisateur et les accessoires montés sur le scooter. Restez dans la limite de poids spécifique de votre scooter. Dépasser la capacité de poids annule la garantie. Nous ne serons pas tenu responsables des blessures et/ou dommages résultants du non-respect des limites de poids.



MISE EN GARDE! Nous vous recommandons de ne pas utiliser le scooter comme un siège lors des activités d'entraînement aux poids ou comme un appareil de musculation. Une telle utilisation peut conduire à un stress excessif et la fatigue des composants du scooter, et peut également affecter le centre de gravité, ce qui entraîne un renversement ou une chute. Nous ne serons pas tenu responsables des blessures et/ou dommages matériels résultants de l'utilisation du scooter motorisé pour des activités de musculation ou comme un appareil de musculation.



MISE EN GARDE! Ne prenez pas de passagers sur votre scooter. Le transport de passagers sur votre scooter peut affecter le centre de gravité, ce qui pourrait entraîner un renversement ou une chute. Nous ne serons pas tenu responsables des blessures et/ou dommages matériels causés par le transport de passagers sur le scooter motorisé.



MISE EN GARDE! Ne pas utiliser le scooter pour transporter, déplacer ou remorquer d'autres véhicules, y compris les tondeuses à gazon, l'équipement ATV, ou d'autres dispositifs mobiles. Votre scooter n'a pas été conçu avec cette utilisation à l'esprit et tous dommages ou blessures encourus d'un tel usage n'est pas la responsabilité du fabricant du scooter.

I. SECURITE



Figure 1. Limites de poids

Informations sur les pentes inclinées

De plus en plus les bâtiments sont équipés de rampes avec des degrés d'inclinaison spécifiés, conçues pour un accès facile et sûr. Certains peuvent avoir des rampes en lacets (virages à 180 degrés) ce qui exige d'avoir de bonnes compétences en virages sur votre scooter.

- Soyez très prudent lorsque vous approchez d'une pente ou d'une rampe inclinée.
- Négociez les virages serrés lentement en décrivant un grand arc avec les roues avant de votre scooter. De cette façon, les roues arrière décriront également un grand arc et ne seront pas coincées par la bordure ou le coin de la rampe.
- Pour descendre une rampe, réglez le bouton de vitesse au minimum pour garder un meilleur contrôle.
- Évitez les arrêts et les départs brusques.

Lorsque vous gravissez une pente, évitez d'arrêter votre scooter. Si vous devez faire un arrêt, redémarrez lentement, et accélérez avec précaution. Lorsque vous descendez une pente, réglez le bouton de vitesse au minimum et conduisez en marche avant seulement. Si votre scooter commence à descendre la pente plus vite que vous aviez prévu ou souhaité, faites-le parvenir à un arrêt complet en relâchant la manette d'accélération et engagez légèrement les leviers de frein jusqu'à atteindre la vitesse désirée.



MISE EN GARDE! Lorsque vous êtes sur une pente ou une pente, assurez-vous que le frein de stationnement est serré.



MISE EN GARDE! Lorsque vous gravissez une pente, ne pas zigzaguer ni attaquer la pente en diagonale. Gravissez la pente en ligne droite directement face à la pente. De cette manière vous réduisez grandement les risques de renversement ou de chute. Soyez toujours extrêmement prudent lorsque vous gravissez quelque pente que ce soit.



MISE EN GARDE! Ne jamais monter ou descendre une pente qui comporte des risques tels que: la neige, la glace, le gazon frais coupé, les feuilles mouillées etc.

MISE EN GARDE! Ne jamais descendre une pente en marche arrière. Cela peut provoquer un renversement du scooter. Soyez toujours extrêmement prudent lorsque vous gravissez ou descendez n'importe quelle pente.

Les rampes d'accès public pour les handicapés ne sont pas réglementées par le gouvernement dans tous les pays, et donc n'ont pas nécessairement le même degré d'inclinaison standard. D'autres pentes sont naturelles ou, si construites de main d'homme, n'ont pas été conçues spécifiquement pour des scooters. La capacité que votre scooter a, à gravir des pentes, est affectée par votre poids, la vitesse, l'angle d'approche de la pente, et la configuration de votre scooter, y compris la configuration du siège. Par conséquent, nous recommandons que l'inclinaison de la pente que vous souhaitez monter ou descendre avec votre scooter en toute sécurité ne dépasse pas l'inclinaison maximum admissible indiquée dans les spécifications du produit. Reportez-vous au tableau suivant pour les normes sur le degré des pentes qui sont disponibles pour chaque région comme indiqué. **Voir la figure 2.**

I. SECURITE

Emplacement géographique	Exigence d'inclinaison minimum pour assurer la sécurité
États-Unis - Loi relative aux Américains handicapés (ADA)	ADA exige 5° (8.7%)
Europe (marquage CE) Classe A	3° (5.2%)
Europe (marquage CE) Classe B	6° (10.5%)
Europe (marquage CE) Classe C	10° (17.6%)

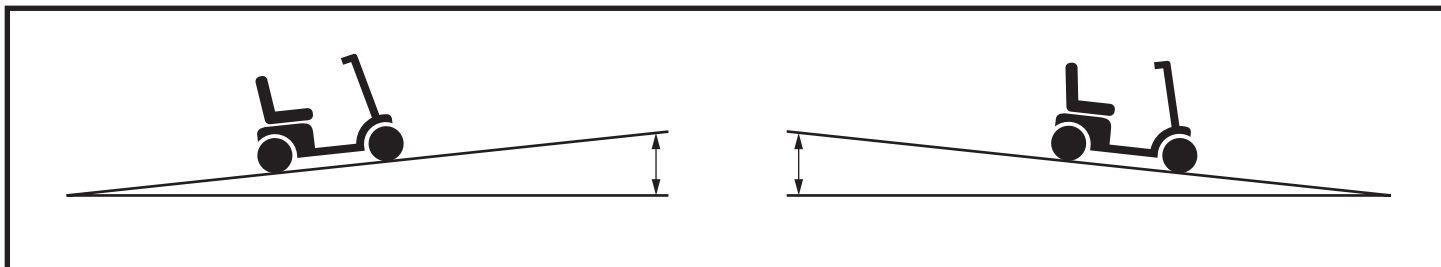


Figure 2. Inclinaison maximale recommandée (ascendant ou descendant)

MISE EN GARDE! Votre scooter a été testé conformément aux normes. Vous ne devez pas dépasser les spécifications de performance de votre scooter comme indiqué dans les spécifications du produit.



MISE EN GARDE! Toute tentative de gravir ou descendre une pente plus abrupte que celle recommandée pour votre scooter peut mettre votre scooter dans une position instable et provoquer un renversement.

MISE EN GARDE! Ne transporter ou ajouter tout accessoire qui pourrait nuire au centre de gravité ou dépasser la capacité de poids du scooter. Cela pourrait affecter le centre de gravité du scooter, ce qui pourrait entraîner un renversement.

Lorsque vous approchez d'une pente, il est préférable de se pencher en avant. Cela déplace votre centre de gravité et celui de votre scooter vers l'avant du scooter pour une meilleure stabilité. Voir les figures 3 et 4.



Figure 3. Position de conduite normale



Figure 4. Position avec stabilité accrue

I. SECURITE



Figure 5. pousser en toute sécurité

Informations sur le freinage

Les scooters sont équipés de trois systèmes de freinage: Levier de frein à main, frein supplémentaire et un frein de stationnement. Les leviers de frein doivent être activés manuellement pour ralentir le véhicule jusqu'à l'arrêt. Reportez-vous à «II. Votre scooter» pour les informations de freinage.

À moins d'être équipé d'un appareil spécial, la vitesse de votre scooter est contrôlée par un Accélérateur Tournante. Lorsque le papillon des gaz est déplacé de la position neutre, le scooter commencera à avancer. Plus la manette des gaz est soumise à une pression importante, plus le véhicule atteindra rapidement la vitesse maximale prééglée. Lorsque la poignée des gaz est relâchée pour revenir à la position neutre, le signal électronique est inversé et l'accélération avant est arrêtée. Le frein à main manuel doit être engagé pour permettre un arrêt contrôlé.

AVIS: *Si le papillon des gaz est relâché en position neutre lors du franchissement d'une pente, le scooter peut «faire marche arrière». Engagez la levier de frein pour empêcher le scooter de reculer.*

Informations sur les virages serrés

Une vitesse excessive peut entraîner un renversement dans un virage. Les facteurs suivants peuvent augmenter le risque de renversement: vitesse de virage, rayon de giration (virage serré) surface de roulement accidentée, surface de roulement inclinée, passage d'une surface à bonne adhérence vers une surface glissante (zone carrelée à zone moquette, spécialement en virage à haute vitesse) et virages abrupts. Bien que votre scooter soit équipé de roulettes anti-basculer, négocier des virages à haute vitesses peut encore entraîner un renversement.



MISE EN GARDE! Quand vous négociez un virage qui a un angle très serré, réduisez votre vitesse et maintenez un centre de gravité stable. Évitez de déplacer votre poids dans la direction opposée du virage, ce qui peut causer le scooter de perdre de l'adhérence et de se renverser.

I. SECURITE

Obstacles fixes (marches, trottoirs, etc.)

Procédez avec une extrême prudence lorsque vous conduisez à proximité de surfaces surélevées, les bordures non protégées et/ou bordures de trottoir, porches, escaliers, etc. Pour des informations concernant la hauteur maximum d'escalade de votre scooter, reportez-vous aux spécifications du scooter.

Pour négocier une bordure de trottoir ou un obstacle stationnaire:

1. Approchez lentement et perpendiculairement la bordure ou l'obstacle. **Voir la figure 6.**
2. Augmenter la vitesse avant, juste avant que la roue avant rentrent en contact avec l'obstacle.
3. Réduisez la vitesse seulement lorsque les roues arrière seront au delà de l'obstacle.

Pour descendre une bordure de trottoir ou un obstacle stationnaire:

1. Approchez lentement et perpendiculairement la bordure ou l'obstacle. **Voir la figure 6.**
2. Réduire la vitesse avant, juste avant que la roue avant rentrent en contact avec l'obstacle.
3. Augmentez la vitesse avant, juste avant que les roues arrière entrent en contact avec l'obstacle.

MISE EN GARDE! Même si votre scooter peut être capable de négocier de gros obstacles, nous vous recommandons de ne pas tenter de négocier un trottoir qui a une hauteur supérieure à 4 cm (1.5 po). Cela pourrait entraîner l'instabilité de votre scooter.

MISE EN GARDE! N'essayez pas de gravir ou descendre un obstacle qui est anormalement élevé.

MISE EN GARDE! Ne tentez pas de descendre des marches, une bordure de trottoir ou tout autre obstacle en faisant marche arrière sous peine de provoquer un renversement.

MISE EN GARDE! N'approchez pas les trottoirs en angle, mais plutôt approchez n'importe quel trottoir que vous avez l'intention de monter ou de descendre en position avant (perpendiculaire au trottoir).

MISE EN GARDE! L'iRide est conçu pour fonctionner sur des surfaces planes et planes, à l'intérieur comme à l'extérieur. Les exemples d'«intérieur» comprennent généralement, mais sans s'y limiter, le linoléum, le bois dur, les carreaux, les moquettes sans poils et à poils ras. Les exemples de «l'extérieur» incluent généralement, mais sans s'y limiter, le béton, l'asphalte, le macadam et certaines configurations de briques raffinées. N'utilisez pas votre scooter sur ou près de surfaces inégales telles que des escaliers, des tombants, des rebords, de l'herbe, du gravier, du sable, du paillis, de la saleté, de la boue ou du béton détérioré, de l'asphalte ou d'autres surfaces inégales. Le non-respect de cet avertissement peut endommager le produit ou provoquer une instabilité et un basculement entraînant des blessures ou la mort.

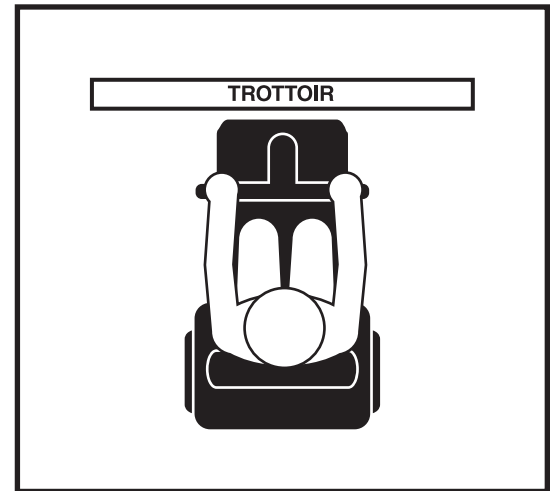


Figure 6. Approche correcte de trottoir



Figure 7. Approche incorrecte de trottoir

I. SECURITE

Pénétration de liquides



MISE EN GARDE! Même que le scooter a passé les tests nécessaires requis pour la pénétration de liquides, vous devez garder les connexions électriques à l'écart de toute source d'humidité, y compris l'exposition directe à l'eau ou des fluides corporels et l'incontinence. Vérifier les composants électriques souvent pour des signes de corrosion et les remplacer au besoin.

MISE EN GARDE! Ne prenez jamais votre scooter dans une douche, bain, la piscine ou le sauna. N'utilisez pas votre scooter dans l'eau.

Escalier et escalier mécanique

Un scooter n'est pas conçu pour se déplacer dans un escalier. Toujours utiliser un ascenseur.



MISE EN GARDE! N'utilisez jamais votre scooter pour négocier des escaliers ou des escaliers mécaniques.

MISE EN GARDE! Soyez extrêmement prudent quand il est nécessaire de monter ou descendre le scooter par les escaliers. Nous recommandons que deux personnes s'occupent de cette tâche, et que le siège, les batteries et les accessoires soient retirés avant de déplacer le scooter. Utiliser des techniques correctes de levage et levez le scooter par le cadre uniquement.

Ascenseurs

Les ascenseurs modernes possèdent un dispositif qui, lorsqu'il y a contact, ouvrent les portes automatiquement.

- Si vous êtes dans la porte d'un ascenseur alors qu'elle se referme, poussez la bordure de caoutchouc pour commander la réouverture automatique.
- Faites attention que les carnets, les paquets, ou que les accessoires de votre scooter ne se coincent pas dans les portes de l'ascenseur.

NOTICE: Si le rayon de braquage de votre scooter est plus grand que 152 cm (60 po), il peut être difficile de manoeuvrer dans les ascenseurs et les entrées des édifices. Soyez prudent lorsque vous manoeuvrez votre scooter dans des endroits restreints, évitez les endroits qui peuvent poser un problème.

Portes

- Déterminez si la porte s'ouvre vers vous ou dans le sens opposé.
- Conduisez votre scooter doucement et lentement en avant pour pousser la porte, ou poussez doucement votre scooter en arrière pour ouvrir la porte.

Transport du scooter inoccupé dans un véhicule automobile

Ne pas rester assis dans votre scooter quand vous voyagez dans un véhicule automobile. Le scooter doit être placé dans le coffre arrière de la voiture ou de la camionnette ou encore dans la caisse du camion et le siège retirées et/ou bien ancrées au véhicule lorsque le véhicule est en mouvement.



MISE EN GARDE! L'utilisateur du scooter doit s'asseoir sur le siège du véhicule automobile et utiliser la ceinture de sécurité du véhicule quand c'est possible. L'utilisateur ne doit jamais s'asseoir sur le scooter alors qu'il est dans un véhicule en mouvement.



MISE EN GARDE! Assurez-vous que votre scooter et ses batteries soient bien ancrés pendant le transport. Ne transportez pas les batteries en présence de matières inflammables ou de combustible.

Sièges



MISE EN GARDE! Si les raccordements de votre siège deviennent lâches, signalez le problème immédiatement à votre marchand autorisé.



MISE EN GARDE! Ne pas enlever le coussin du siège fourni avec le scooter. Ne pas placer des coussins supplémentaires, du rembourrage, ni d'oreiller sur le coussin du siège. Cela pourrait provoquer une position instable, entraînant une chute du scooter.

I. SECURITE

Batteries et recharge: Lithium-Ion

En plus de suivre les avertissements ci-dessous, assurez-vous de respecter toutes les autres consignes de traitement des batteries fournies dans III. «batteries et chargeurs» ce guide.

MISE EN GARDE! Les compagnies aériennes ont des directives strictes pour le transport des batteries au Lithium-Ion à bord des avions de passagers. Vérifiez avec la compagnie aérienne avant de voyager.

MISE EN GARDE! N'utilisez que des batteries autorisées par votre marchand. Reportez-vous aux spécifications fournies avec le scooter et dans le manuel fourni avec le chargeur de batterie pour le type recommandé et les capacités. La seule batterie est disponible dans un ensemble qui ne peut pas être ouvert. Vous devez vous rendre chez votre marchand agréé.

MISE EN GARDE! Cette batterie a été testée et conforme à la norme UN38.3 du Règlement des Transports des Nations Unies.

MISE EN GARDE! Assurez-vous toujours que le chargeur de batterie Lithium-Ion fourni avec votre scooter est utilisé pour recharger votre batterie. L'utilisation d'un chargeur différent ou non Lithium-Ion peut entraîner une diminution des performances du scooter, y compris une autonomie réduite par charge. Le non-respect de cet avertissement peut entraîner des dommages au produit, des blessures corporelles ou la mort.

MISE EN GARDE! Protégez la batterie contre le gel et ne tentez pas de recharger des batteries congelées. Le chargement d'une batterie gelée peut causer des dommages à la batterie.



MISE EN GARDE! Toujours utiliser le chargeur dans un endroit bien ventilé, car cela est essentiel pour un bon refroidissement. Assurez-vous que les trous d'aération ne soient pas bloqués avant l'utilisation et toujours placer le chargeur sur une surface plane et dure pendant la charge. Avant chaque utilisation, vérifiez que le chargeur n'est pas couvert d'objets tels que des couvertures ou des vêtements. Ne pas placer le chargeur dans des espaces clos tels que des sachets ou des sacs. Le défaut de permettre une bonne ventilation peut entraîner des dommages au chargeur.

MISE EN GARDE! Vérifiez la boîte de la batterie pour des signes de dommages. Si une batterie ou un boîtier de batterie semble endommagé, contactez immédiatement votre marchand autorisé.

MISE EN GARDE! Soyez conscient que le boîtier du chargeur de la batterie peut devenir chaud pendant la charge. Éviter le contact avec la peau et ne pas placer le chargeur sur des surfaces qui peuvent être affectées par la chaleur, y compris la moquette ou les vêtements.

MISE EN GARDE! Si le chargeur de batterie est équipé de fentes de refroidissement, alors n'essayez pas d'insérer des objets dans ces fentes et garder les fentes de refroidissement libres de tout objet.

MISE EN GARDE! Ne pas charger à la lumière directe du soleil ou à proximité de sources de chaleur.

MISE EN GARDE! Contactez votre marchand autorisé si vous avez des questions concernant la batterie de votre scooter.

MISE EN GARDE! N'ouvrez pas la batterie. Il n'y a aucune pièce réparable à l'intérieur.

I. SECURITE

Composantes amovibles



MISE EN GARDE! Ne pas essayer de soulever ou de déplacer votre scooter ou siège en le saisissant par ou en s'accrochant à une de ses parties amovibles. Saisir uniquement les composants solides non amovibles du cadre pour soulever ou déplacer votre scooter ou votre siège.

Prévention des mouvements non intentionnels



MISE EN GARDE! Si vous prévoyez demeurer au même endroit pendant un bon moment, débranchez les connecteurs du contrôleur et de la batterie. De cette façon, vous réduirez le risque de toucher accidentellement la manette et préviendrez aussi les mouvements non intentionnels qui pourraient être causés par les interférences électromagnétiques.

Atteindre et se pencher

Ne jamais essayer d'atteindre, se pencher ou se plier, pendant que vous conduisez votre scooter. Se pencher en avant crée le risque de contact accidentel avec la manette. Se pencher sur le côté quand vous êtes assis crée le risque de renversement. S'il est absolument nécessaire d'atteindre, se pencher, ou se plier tout en restant assis sur votre scooter, il est important de maintenir un centre de gravité stable afin que le scooter ne se renverse pas. Assurez-vous que les roues pointent vers l'avant afin de créer l'empattement le plus long possible. Nous recommandons que l'utilisateur du scooter détermine ses limites personnelles et pratique comment se pencher et atteindre, en présence d'un préposé qualifié. **Voir les figures 8 et 9.**

MISE EN GARDE! Ne vous pliez pas, ne vous penchez pas et n'essayez pas de ramasser des objets du sol en essayant de les atteindre entre vos genoux ou si vous devez vous pencher sur le côté du scooter ou essayer de les atteindre par dessus le dos du siège. Des mouvements tels que ceux-ci peuvent changer votre centre de gravité et la répartition du poids du scooter. Cela pourrait entraîner le renversement de votre scooter.



MISE EN GARDE! Garder les mains, les vêtements et tout autre objet à l'écart des roues lors de la conduite. Ne pas laisser d'effets personnels ou des objets trainer derrière le scooter lors de la conduite. Soyez conscient que des vêtements amples ou d'autres objets peuvent se coincer dans les roues et/ou ils peuvent s'empêtrer dans le train de roulement.



MISE EN GARDE! Risque d'étranglement possible! Soyez conscient que les vêtements, cordons, colliers, autres bijoux, sacs à main et autres accessoires que vous portez ou transportez lorsque vous êtes assis sur ou que vous utilisez le scooter, peuvent se coincer dans les accoudoirs ou dans la manette de commande. Soyez prudent pour éviter ce danger potentiel.

MISE EN GARDE! Ne pas laisser d'objets ou accessoires saillir de votre scooter lorsque vous conduisez. Soyez conscient que des objets saillants peuvent se coincer dans des pièces voisines qui se trouvent sur le chemin du scooter.



Figure 8. Une façon correcte de se pencher et d'atteindre



Figure 9. Une façon incorrecte de se pencher et d'atteindre

I. SECURITE

Transferts

Faire des transferts à partir de ou vers votre scooter nécessite un bon équilibre. Avant de faire un premier transfert, assurez-vous qu'il y ait quelqu'un pour vous aider.

Pour éliminer les risques de blessures, nous recommandons que vous ou une personne formée effectue les tâches suivantes avant de tenter un transfert:

- Désactivez le bouton d'alimentation du boîtier de la batterie.
- Assurez-vous que le frein de stationnement est serré. Voir «Votre scooter» dans ce manuel.
- Assurez-vous que le siège est fixé solidement en place.

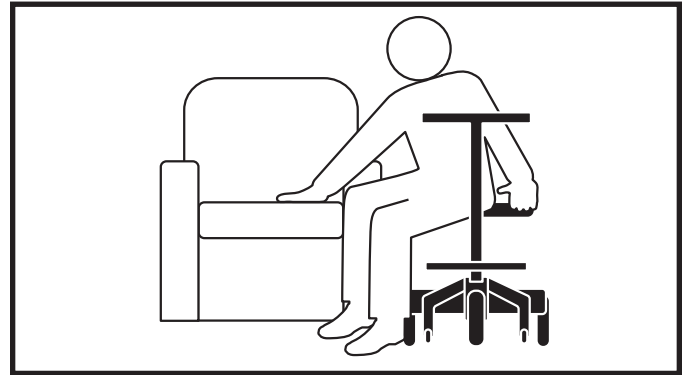


Figure 10. Position recommandée pour faire un transfert

MISE EN GARDE! Avant de vous transférer, serrez le frein de stationnement.

MISE EN GARDE! Avant de vous transférer, positionnez vous aussi loin que possible dans le siège du scooter pour empêcher qu'il se renverse vers l'avant pendant le transfert.



MISE EN GARDE! Évitez de mettre tout votre poids sur les la barre de scooter lors des transferts. Une telle utilisation peut provoquer que le scooter se renverse ce qui entraînera une chute du scooter et des blessures.

MISE EN GARDE! Évitez de mettre tout votre poids sur le repose-pieds du scooter. Une telle utilisation peut provoquer le renversement du scooter.

Limitations physiques

Les utilisateurs doivent faire preuve de prudence et de bon sens lorsqu'ils utilisent un scooter. Cela inclut la sensibilisation aux problèmes de sécurité dus aux limitations physiques particulières de l'utilisateur du scooter ou de son assistant.



MISE EN GARDE! N'utilisez pas votre scooter si votre capacité à le faire en toute sécurité est altérée de quelque manière que ce soit. Les exemples incluent, mais ne sont pas limités à, un manque de conscience de l'environnement ou un manque de capacité à penser clairement; déficience visuelle ou auditive; ou altération de la dextérité des membres supérieurs qui limite la capacité d'utiliser des commandes ou de diriger. L'utilisation de ce scooter en état d'ébriété peut entraîner une direction erratique, une accélération, un freinage, une instabilité, un basculement, une direction erronée et/ou une collision avec des personnes ou des objets. Chacune de ces circonstances peut entraîner des blessures graves, voire mortelles.

Drogues/médicaments

Les utilisateurs doivent faire preuve de prudence et de bon sens lorsqu'ils utilisent un scooter. Cela inclut la sensibilisation aux problèmes de sécurité qui se posent lors de la prise de médicaments/médicaments prescrits ou en vente libre.



MISE EN GARDE! Consultez votre médecin si vous prenez des médicaments/médicaments sur ordonnance ou en vente libre. Certains médicaments peuvent nuire à votre capacité de conduire votre scooter en toute sécurité. L'utilisation de ce scooter avec les facultés affaiblies peut entraîner une direction erratique, une accélération, un freinage, une instabilité, un basculement, une direction erronée et/ou une collision avec des personnes ou des objets. Chacune de ces circonstances peut entraîner des blessures graves, voire mortelles.

Alcool et autres intoxicants/Tabagisme

Les utilisateurs doivent faire preuve de prudence et de bon sens lorsqu'ils utilisent un scooter. Cela inclut la sensibilisation aux problèmes de sécurité qui se posent après la consommation d'alcool et d'autres substances intoxicantes, y compris la marijuana et diverses formes de stupéfiants.



MISE EN GARDE! N'utilisez pas votre scooter lorsque vous êtes sous l'influence de l'alcool ou d'autres substances intoxicantes, y compris la marijuana et d'autres formes de stupéfiants, qui pourraient nuire à votre capacité à utiliser votre scooter en toute sécurité. L'utilisation de ce scooter avec les facultés affaiblies peut entraîner une direction erratique, une accélération, un freinage, une instabilité, un basculement, une direction erronée et/ou une collision avec des personnes ou des objets. Chacune de ces circonstances peut entraîner des blessures graves, voire mortelles.

I. SECURITE

Fumeur

Les utilisateurs doivent faire preuve de prudence et de bon sens lorsqu'ils utilisent un scooter. Cela inclut la prise de conscience des problèmes de sécurité liés au tabagisme, susceptibles de nuire à votre capacité à utiliser votre scooter de manière sûre.

MISE EN GARDE! Ne pas utiliser votre scooter en fumant. Fumer peut altérer votre capacité à utiliser votre scooter en toute sécurité ou provoquer un incendie. Utiliser un scooter en fumant peut empêcher l'utilisateur en toute sécurité et peut entraver le bon fonctionnement des commandes du scooter, ce qui peut entraîner une direction erratique, une accélération, un freinage, une instabilité, des basculements, une mauvaise direction et/ou une collision avec des personnes ou des objets. Chacune de ces circonstances peut entraîner des blessures graves, voire mortelles. Fumer pendant l'utilisation du scooter peut également causer des brûlures physiques et/ou des dégâts matériels et peut également provoquer un incendie pouvant provoquer des blessures graves, voire mortelles.



MISE EN GARDE! Nous vous recommandons fortement de ne pas fumer de cigarettes tout en étant assis dans votre scooter, même si le scooter a passé les tests requis pour l'exposition à la cigarette. Vous devez respecter les consignes de sécurité suivantes si vous décidez de fumer des cigarettes tout en étant assis dans votre scooter.

- Ne laissez pas de cigarette allumée sans surveillance.
- Tenez les cendriers loin du siège.
- Assurez-vous de bien éteindre vos cigarettes avant d'en disposer.

Précautions d'inflammabilité

MISE EN GARDE! Même si les plastiques et le siège utilisés sur votre chaise électrique ont été testés et ont passé les normes d'inflammabilité, nous vous recommandons de ne pas exposer votre scooter aux flammes nues.



MISE EN GARDE! Soyez très prudent lors de l'utilisation d'oxygène à proximité de circuits électriques et des matériaux combustibles. Contactez votre marchand d'oxygène pour les informations sur l'utilisation d'oxygène en toute sécurité.

MISE EN GARDE! Remplacez les pièces usées ou le rembourrage endommagé immédiatement pour réduire le risque d'incendie.

MISE EN GARDE! Soyez conscient que le lavage des articles rembourrés peut réduire la résistance à l'inflammabilité du tissu.

Environnements dangereux



MISE EN GARDE! En raison des composants électriques de nos produits, nous ne recommandons pas l'utilisation de nos scooters dans des environnements Classe I, Division I, industriels ou commerciaux, où la zone de travail pourrait avoir une composition d'air inflammable. Dans un tel environnement, il est possible pour le scooter puisse devenir une source d'ignition d'un incendie ou d'une explosion.

I. SECURITE

Sports et athlétisme

L'utilisateur doit user de son jugement et de bon sens lorsqu'il utilise son scooter. Cela comprend la sensibilisation aux questions de sécurité, tout en participant à des sports et l'athlétisme. Toutes les activités sportives courent le risque de blessure. Nous recommandons que votre scooter soit équipé d'une ceinture de positionnement et que vous utilisiez l'équipement de sécurité comme les casques de sports et le rembourrage, si vous choisissez de participer à des activités sportives.

En outre, il est de votre responsabilité d'informer votre marchand autorisé si vous participerez à des sports et l'athlétisme. Votre scooter peut ne pas être correctement réglé pour les activités sportives en termes de configuration du siège et de la programmation du contrôleur. Si vous participez à des activités sportives de n'importe quel genre, assurez-vous que votre marchand autorisé a surveillé l'usage de votre scooter dans cette activité. Cela aidera votre marchand à configurer votre scooter en fonction de vos besoins spécifiques pour votre sécurité et confort. Après que les ajustements ont été faits, votre marchand devrait une fois de plus surveiller votre utilisation du scooter dans cette activité pour s'assurer que vous êtes confortable avec les nouveaux paramètres.



MISE EN GARDE! Participer à des sports et à l'athlétisme se fait aux risques et périls de l'utilisateur. L'utilisateur du scooter est responsable de l'utilisation d'équipements de sécurité appropriés et de s'assurer que son marchand autorisé a correctement configuré le scooter pour une telle utilisation. Nous ne serons pas tenus responsables pour les dommages corporels et/ou dommages du produit résultant de l'utilisation du scooter dans n'importe quelle activité sportive.

Interférence électromagnétique et interférence radiomagnétique (EMI/RFI)



MISE EN GARDE! Des tests ont démontré que les ondes électromagnétiques et radiomagnétiques peuvent affecter le fonctionnement des véhicules motorisés électriques.

L'interférence électromagnétique et les fréquences radio peuvent provenir de sources telles que les téléphones cellulaires, radios bidirectionnelles (comme les walkies-talkies), les stations de radio et de télévision, la radio amateur (HAM), les émetteurs, les liens informatiques sans fil, les émetteurs de signaux micro-ondes, les émetteurs de paging, et les émetteurs-récepteurs mobiles à moyenne portée utilisés par les véhicules d'urgence. Dans certains cas, ces ondes peuvent causer un mouvement involontaire ou des dommages du système de contrôle. Tout appareil motorisé électrique possède un niveau d'immunité (ou résistance) aux EMI. Plus le niveau d'immunité est élevé, meilleure est la protection contre les EMI. Ce produit a subi et réussi un test d'immunité de 3 V/m.



MISE EN GARDE! Soyez conscient que les téléphones cellulaires, les radios bidirectionnelles, les ordinateurs portables, les générateurs d'électricité ou sources à forte puissance, et d'autres types d'émetteurs radio peuvent provoquer des mouvements involontaires de votre véhicule motorisé électrique due aux perturbations électromagnétiques. Ne pas mettre en marche des appareils portatifs de communication personnelle, comme radios bande publique (CB) et téléphones cellulaires, alors que le scooter est allumé. Soyez conscient des émetteurs situés à proximité, tels que les stations de radio ou de télévision, et évitez de vous approcher d'elles.



MISE EN GARDE! L'ajout d'accessoires ou composants à votre véhicule électrique peut le rendre plus sensible aux effets des EMI. Ne pas modifier votre scooter d'aucune façon qui ne soit pas autorisée par le fabricant du scooter.

MISE EN GARDE! Votre propre scooter peut affecter le fonctionnement des autres appareils électriques situés à proximité, tels que les systèmes d'alarme.

NOTICE: Pour de plus amples informations sur scooter les interférences EMI/RFI, contactez votre marchand autorisé. Si votre scooter bouge de façon involontaire, coupez le contact dès que possible. Contactez votre marchand agréé pour rapporter l'incident.

I. SECURITE

Questions et réponses à propos de la Proposition 65

Qu'est-ce que la Proposition 65?

La Proposition 65 exige que les entreprises fournissent des avertissements aux Californiens sur les expositions importantes aux produits chimiques qui causent le cancer, les malformations congénitales, ou d'autres problèmes liés à la reproduction. Ces produits chimiques peuvent faire partie des produits que les Californiens achètent, peuvent être dans leurs maisons ou lieux de travail, ou sont rejetés dans l'environnement. En exigeant que cette information soit fournie, la Proposition 65 permet aux Californiens de prendre des décisions éclairées quant à leurs expositions à ces produits chimiques.

La Proposition 65 interdit également aux entreprises californiennes de déverser sciemment des quantités importantes des produits chimiques répertoriés dans les sources d'eau potable. La Proposition 65 exige que la Californie publie une liste de produits chimiques connus pour causer le cancer, des anomalies congénitales ou d'autres problèmes liés à la reproduction. Cette liste, qui doit être mise à jour au moins une fois par an, continue à grandir et compte actuellement environ 900 produits chimiques, depuis sa première publication en 1987.

Quels types de produits chimiques figurent dans la liste de la Proposition 65?

La liste contient une large gamme de produits chimiques naturels et synthétiques, y compris des additifs ou des ingrédients dans les pesticides, les produits ménagers courants, les aliments, les médicaments, les colorants et les solvants. Les produits chimiques figurant dans la liste peuvent également être utilisés dans la fabrication et la construction, ou ils peuvent être des sous-produits de procédés chimiques, tels que les gaz d'échappement des véhicules à moteur.

Quel est le but de l'avertissement?

Si un avertissement est apposé sur l'étiquette d'un produit, affiché ou distribué dans le lieu de travail, entreprise ou logement locatif, cela signifie que l'entreprise qui émet l'avertissement est au courant ou croit qu'elle est en train d'exposer des personnes à un ou plusieurs des produits chimiques répertoriés. Selon la loi, un avertissement doit être donné pour les produits chimiques répertoriés, sauf si l'exposition est suffisamment faible pour ne présenter aucun risque significatif de cancer ou est significativement en dessous des niveaux observés pour causer des malformations congénitales ou d'autres problèmes liés à la reproduction.

Où puis-je obtenir plus d'informations sur la Proposition 65?

Si vous avez des questions spécifiques sur l'administration ou la mise en oeuvre de la Proposition 65, vous pouvez consulter le site Web du programme Proposition 65 à P65.Questions@oehha.ca.gov, ou les contacter directement par téléphone au (916) 445-6900.

AVIS DE SECURITE AUX UTILISATEURS

Votre sécurité est importante pour nous. Si vous ne comprenez pas quelque information contenue dans ce manuel ou si vous avez besoin d'aide pour préparer ou faire fonctionner votre appareil, S.V.P. contactez votre marchand autorisé. **Ne pas suivre les instructions, les avertissements et consignes contenues dans ce manuel et ceux situés sur votre produit peut entraîner des blessures ou endommager l'appareil et annuler la garantie du produit.**

II. VOTRE SCOOTER

TABLEAU DE BORD

La console du motoculteur contient toutes les commandes nécessaires à la conduite de votre scooter de voyage, y compris le batterie condition mètre, affichage de la barre, et l'accélérateur tournante **Voir la figure 11.**



INTERDIT! N'exposez pas le tableau de bord à l'humidité. Si le tableau venait à être mouillé, ne tentez pas d'utiliser votre scooter avant que le tableau ait été asséché à fond.

CLE D'IDENTIFICATION

- | | |
|--------------------------------|---------------------------------------|
| 1. Levier de frein à main | 6. Affichage LCD |
| 2. Affichage de la barre | 7. Bouton de vitesse réduite |
| 3. Bouton d'accélération | 8. Accélérateur tournante |
| 4. Bouton de sélection de mode | 9. Goupille du frein de stationnement |
| 5. Poignée de main | |

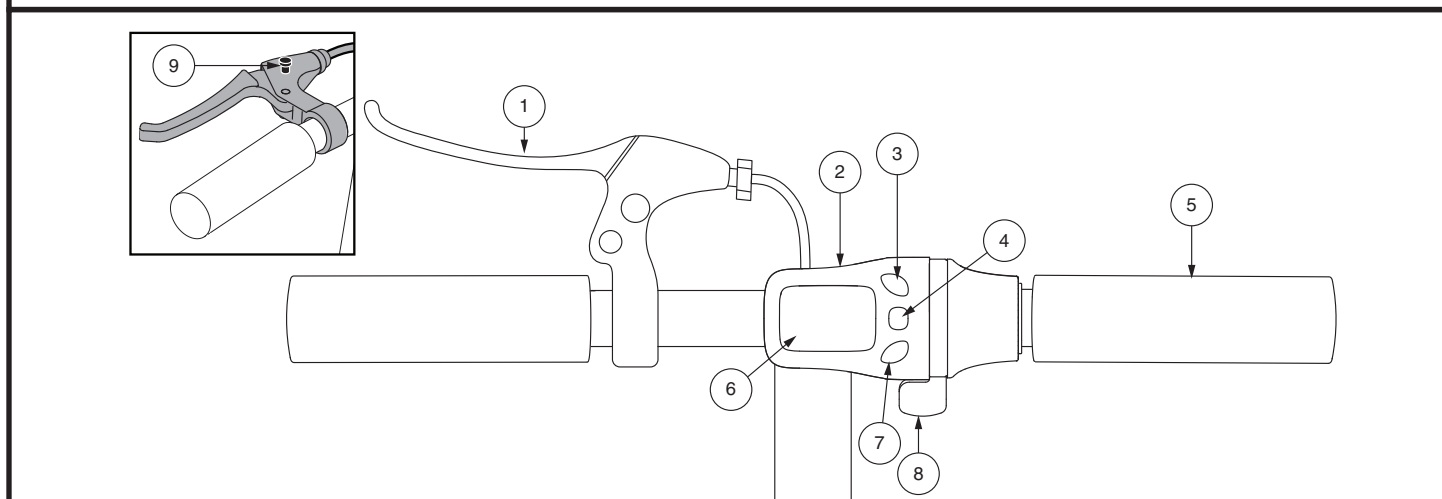


Figure 11. Tableau de bord

Bouton d'alimentation

- Appuyez sur le bouton d'alimentation de la batterie pour allumer votre scooter. Le bouton d'alimentation sert également de disjoncteur principal. **Voir la figure 12.**

Accélérateur tournante

Le accélérateur tournante vous permet de contrôler la vitesse d'avancement de votre scooter.

- Placez votre main droite sur la poignée droite et votre main gauche sur la poignée gauche
- Utilisez votre pouce droit pour appuyer sur la commande d'accélération vers le bas pour contrôler la vitesse du mouvement vers l'avant.
- Pour ralentir votre scooter, appliquez la frein à main.
- Lorsque l'accélérateur tournante est relâchée, elle retourne automatiquement à la position «arrêt».

Bouton de sélection de mode

Vous permet de basculer entre les modes et d'éclairer l'écran LCD.

- Appuyez sur la partie supérieure du bouton de sélection du mode et maintenez-la enfoncée pendant deux secondes pour éclairer l'écran LCD.
- Appuyez sur la partie inférieure du bouton de sélection de mode pour parcourir les modes disponibles. À partir du mode de profil de lecteur, appuyez sur + ou - pour parcourir les profils de lecteur disponibles.

Réceptacle du cordon du chargeur

L'extrémité à 2 broches du cordon d'alimentation du chargeur se branche dans cette prise. **Voir les figure 13.**

II. VOTRE SCOOTER

Jauge à batteries

Lorsque vous appuyez sur le bouton d'alimentation pour allumer votre scooter, cet indicateur indique la force approximative de la tension de la batterie. Pour plus d'informations sur le chargement de la batterie, voir III. "Batteries et charge."

Module transmission

Le module transmission est composé du moteur et d'un essieu scellé à la transmission et au différentiel. Ce module électromécanique transforme l'énergie des batteries en puissance pour les roues motrices de votre scooter.

Roulettes antibascule

Les roulettes antibascule sont une composante de sécurité importante de votre scooter. Elles sont boulonnées sur la structure à l'arrière du scooter.



INTERDIT! Ne pas retirer ou modifier d'aucune manière les roulettes antibascule sans avoir obtenu l'autorisation de votre marchand autorisé.



MISE EN GARDE! Les roues anti-basculer peuvent provoquer des interférences avec la transition en douceur de votre scooter lorsque vous montez ou descendez un trottoir. Contactez votre marchand autorisé pour plus d'informations.

Boîtier de batterie

Votre scooter est équipé d'un système novateur facile à enlever batterie Lithium-Ion. Voir III. "Piles and Charge" pour les instructions de remplacement de la batterie. Voir la figure 12 et 13.

Bouton du disjoncteur principal (Bouton de d'enclenchement)

Le bouton d'alimentation sert également de disjoncteur principal. Quand la tension dans les batteries de votre scooter devient faible ou la le scooter est fortement sollicité en raison de charges excessives ou pentes raides, le disjoncteur principal peut déclencher pour protéger le moteur et les composants électroniques ne sont pas endommagés. Voir la figure 12.

- La tête du bouton du disjoncteur sort lorsqu'il est déclenché.
- Lorsqu'il est déclenché, tous les circuits sont hors service.
- Attendez une minute avant d'essayer d'enclencher le circuit à nouveau.
- Appuyez sur le bouton pour l'enfoncer et rétablir les circuits.
- Si le disjoncteur se déclenche à répétition, nous recommandons de charger vos batteries plus souvent et de faire tester vos batteries par votre marchand autorisé.
- Si le disjoncteur saute à nouveau, vous devrez voir votre marchand autorisé pour faire vérifier votre appareil.

CLE D'IDENTIFICATION

1. Bouton d'alimentation/
Bouton du disjoncteur principal
2. Sangle de batterie
3. Boîtier de batterie
4. Connecteur de batterie

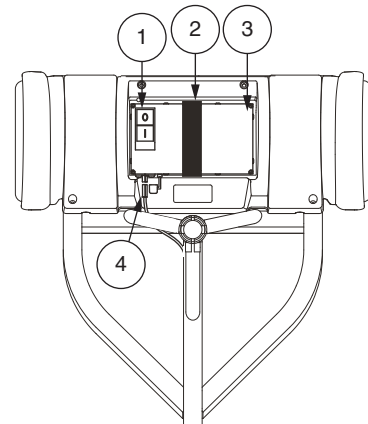


Figure 12. Boîtier de batterie

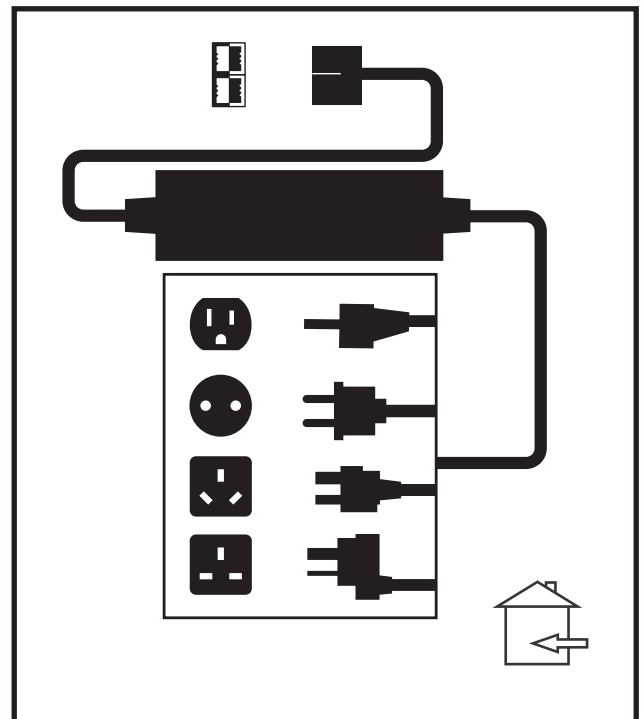


Figure 13. Chargeur à batteries externe

II. VOTRE SCOOTER

Chargeur a batteries externe

Vous devez brancher le chargeur à batteries externe dans son réceptacle et dans une prise murale standard pour la recharge des batteries de votre scooter. **Voir la figure 13.**

FREINAGE

Levier de frein à main

Engagez la levier de frein à main pour ralentir ou arrêter votre scooter. **Voir la figure 15.**

Frein Supplémentaire

Votre scooter est équipé d'un système de freinage secondaire situé près de la roue avant. **Voir la figure 14.**

Pour appliquer un système de freinage supplémentaire:

1. Relâchez la poignée des gaz.
2. Remettez la barre en position centrale.
3. Appliquez doucement le frein supplémentaire.

NOTE: *Le frein supplémentaire est destiné à un usage occasionnel. Utiliser uniquement et n'est pas destiné à être utilisé comme principal Système de freinage.*

Frein de Stationnement

Votre scooter est équipé d'un frein de stationnement qui peut être verrouillé pour empêcher tout mouvement une fois que votre scooter a s'arrêter complètement. **Voir la figure 15.**

Pour appliquer le frein de stationnement:

1. Engager le levier de frein de stationnement.
2. S'engager pleinement sur la goupille du frein de stationnement.
3. Relâchez le levier de frein à main.
4. Pour desserrer le frein de stationnement, serrez à fond le frein à main levier.

ATTENTION! Le frein supplémentaire ne doit pas être utilisé comme système de freinage principal pour arrêter votre scooter. Le frein supplémentaire ne doit être utilisé que comme frein secondaire. Une mauvaise utilisation des systèmes de freinage peut entraîner des blessures ou des dommages matériels.



ATTENTION! Ne modifiez en aucune façon le levier de frein à main. En cas de dommages, contactez votre revendeur agréé pour le remplacement du frein à main.

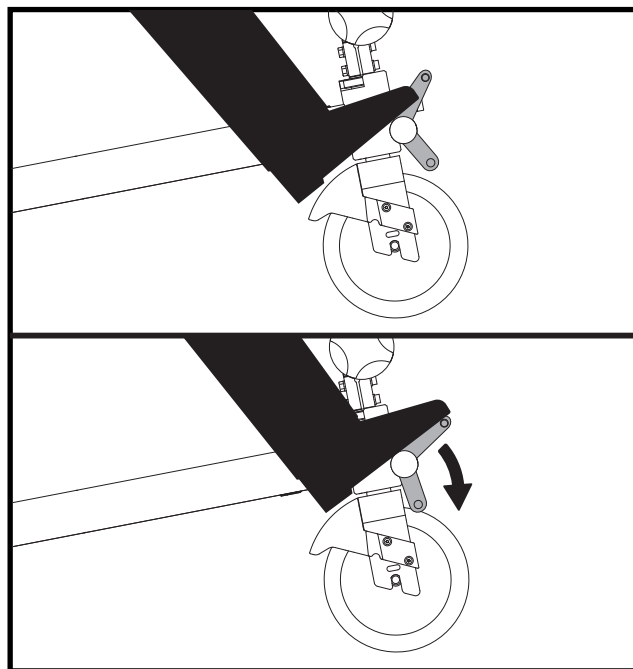


Figure 14. Frein Supplémentaire

CLE D'IDENTIFICATION

1. Levier de frein à main
2. Goupille du Frein de Stationnement

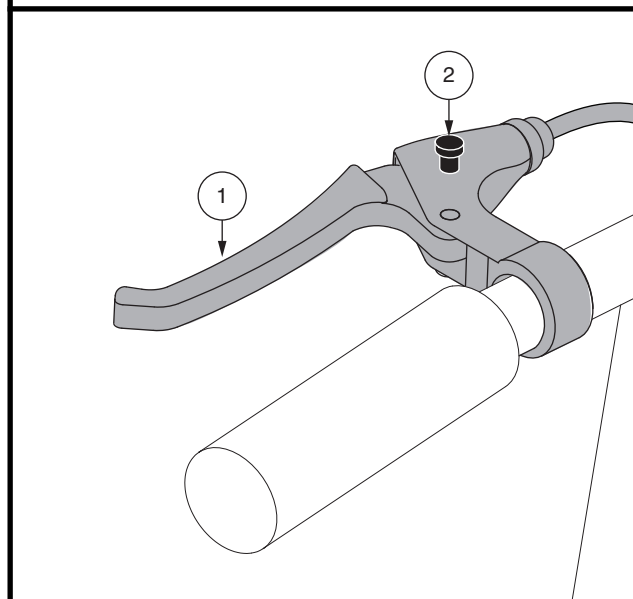


Figure 15. Levier de frein à blocage et blocage de frein (en position verrouillée)

III. BATTERIES ET RECHARGE

BATTERIES ET RECHARGE

Votre scooter nécessite une pile au Lithium-Ion de 36 volts de longue durée, scellées et sans entretien.

- Chargez batterie au moins 8 à 14 heures avant la toute première utilisation de votre scooter.
- Gardez vos batterie bien chargées pour éviter les complications.

LECTURE DU VOLTAGE DES BATTERIES

L'indicateur d'état de la batterie sur la console des gaz indique la force approximative de votre batterie à l'aide de l'icône de la batterie. À pleine charge, l'icône affichera cinq (5) barres indiquant une batterie complètement chargée. Avec une utilisation continue, les barres vont commencer à disparaître au fur et à mesure que votre charge s'égoutte. Une fois que l'icône n'a plus qu'une barre affichée, une recharge immédiate est nécessaire. **Voir la figure 16.** Pour avoir une mesure fiable, vous devez débrancher le cordon d'alimentation du chargeur et mettre le contact du scooter.

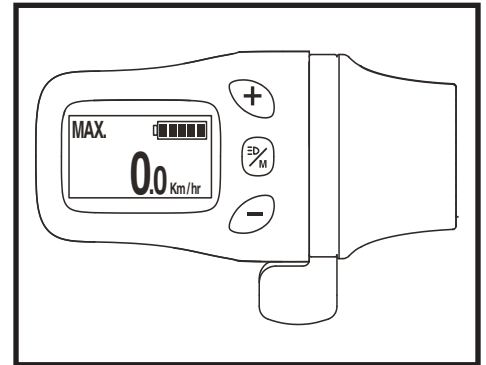


Figure 16. Jauge à batteries

RECHARGE DES BATTERIES



INTERDIT! N'utilisez jamais une rallonge de cordon électrique pour brancher le chargeur à batterie. Branchez-le directement dans une prise électrique standard.



INTERDIT! Ne laissez pas d'enfant jouer sans surveillance près d'un scooter lorsque vous rechargez les batteries. Nous recommandons de ne pas recharger le batterie lorsque le scooter est occupé.



OBLIGATOIRE! Lisez les instructions sur le fonctionnement du chargeur dans ce manuel et celles contenues dans le manuel fourni avec le chargeur avant de commencer la recharge le batterie.



MISE EN GARDE! Des vapeurs explosives peuvent être émises pendant la recharge le batterie. Ventilez adéquatement la pièce et n'approchez pas du chargeur avec des étincelles ou une flamme ouverte pendant la recharge le batterie.

MISE EN GARDE! Vous devez recharger les batteries avec le chargeur externe qui a été fourni avec votre scooter. N'utilisez pas un chargeur de type automobile.

MISE EN GARDE! Inspectez le chargeur, les fils et les connecteurs avant chaque utilisation. Contactez votre marchand autorisé si vous découvrez des dommages.



MISE EN GARDE! Ne tentez pas d'ouvrir le boîtier du chargeur. Si le chargeur ne semble pas fonctionner correctement, contactez votre marchand autorisé.

MISE EN GARDE! Si le chargeur est équipé de fentes de refroidissement, ne tentez pas d'insérer d'objets dans ces fentes.

MISE EN GARDE! Soyez conscient que le boîtier du chargeur de batterie peut devenir chaud pendant la charge. Évitez tout contact cutané et ne placez pas dessus des surfaces susceptibles d'être affectées par la chaleur.



MISE EN GARDE! Votre chargeur de batterie n'a pas été testé et approuvé pour une utilisation en extérieur. Ne l'exposez pas à des conditions météorologiques défavorables ou extrêmes. Si le chargeur est exposé aux intempéries, alors il doit avoir le temps de s'adapter aux conditions internes avant de l'utiliser à l'intérieur. Référez-vous au manuel fourni avec le chargeur pour de plus amples informations. Votre scooter ne doit être chargé que dans une zone où la température ambiante est comprise entre 0°C/32°F et 45°C/113°F.

III. BATTERIES ET RECHARGE

Voici comment recharger vos batteries sécuritairement:

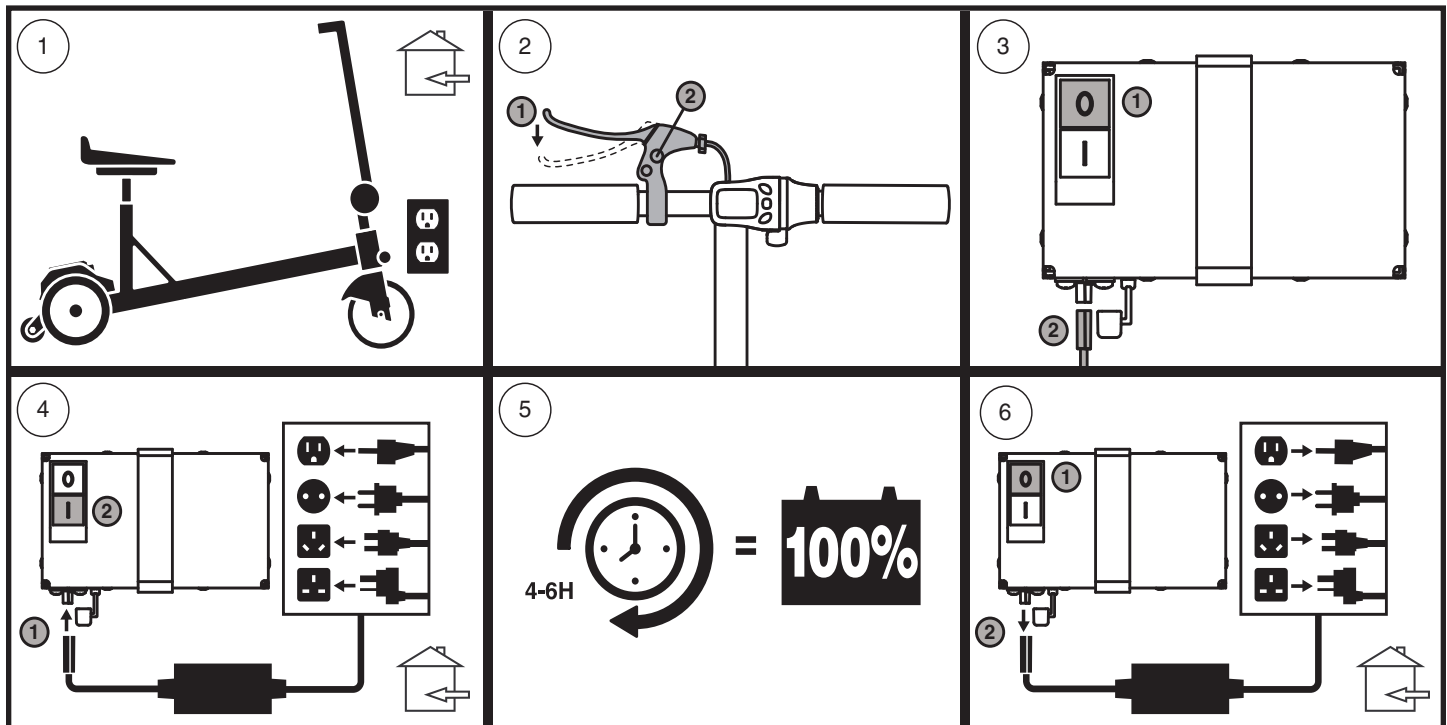


Figure 17. Recharge des batteries schéma des procédures



MISE EN GARDE! Les voyants lumineux sur le chargeur vous informent sur l'état actuel. Si dans les 24 heures, la DEL n'indique pas que la charge est terminée, débrancher le chargeur de la prise et contactez votre marchand autorisé. Référez-vous au manuel fourni avec le chargeur pour les instructions complètes sur les voyants lumineux.

QUESTIONS POSEES FREQUEMMENT

Comment fonctionne le chargeur?

Si les batteries sont faibles, le chargeur travaillera davantage. Au fur et à mesure que les batteries se rechargent, le chargeur ralentit le débit de recharge jusqu'à ce que les batteries soient complètement chargées. Lorsqu'il est, le niveau d'intensité est presque à zéro. Les batteries seront alors maintenues chargées mais ne peuvent être surchargées. Reportez-vous au manuel fourni avec le chargeur de batterie pour des instructions de chargement.

Puis-je utiliser un autre chargeur?

Les chargeurs sont choisis en fonction de l'utilisation et sont bien adaptés au type, à la capacité et à la formule chimique des batteries utilisées. La façon la plus rapide et sûre de recharger les batteries de votre scooter est à l'aide du chargeur d'origine fourni avec votre produit.

Que faire si la batterie ne se recharge pas?

- Assurez-vous que le bouton du disjoncteur principal du module à batteries est en bon état
- Assurez-vous que les deux extrémités du cordon d'alimentation soient bien branchées à fond.

III. BATTERIES ET RECHARGE

À quelle fréquence dois-je recharger ma batterie?

Plusieurs facteurs influencent la nécessité de recharger les batteries. Vous pouvez, par exemple, utiliser votre scooter tous les jours ou ne pas l'utiliser pendant plusieurs semaines

- Si vous utilisez votre scooter quotidiennement, rechargez vos batteries dès que vous avez terminé de l'utiliser. Votre scooter sera rechargé tous les matins et prêt pour toute une journée d'utilisation. Nous recommandons de recharger vos batteries pendant une période allant de 4 à 6 heures après une journée d'utilisation.
- Si vous utilisez votre scooter de temps à autre (une fois par semaine ou moins), nous recommandons de recharger les batteries au moins une fois par semaine pendant 4 à 6 heures.

***NOTE:** Gardez vos batteries bien rechargées et évitez de les décharger complètement. Reportez-vous au manuel fourni avec le chargeur de batterie pour les instructions de chargement.*

Comment puis-je prolonger la vie de ma batterie?

Les batteries à décharge poussée sont conçues pour fournir une performance supérieure plus longtemps que les batteries ordinaires. Gardez vos batteries pleinement chargées aussi souvent que possible.

***NOTE:** La fiabilité de la batterie est proportionnelle aux soins qu'elles ont reçus.*

Quel type de batteries devrais-je utiliser?

Utilisez uniquement la batterie fournie par Manufacturing/marchand autorisé.

III. BATTERIES ET RECHARGE

NOTE: Les batteries scellées n'ont pas besoin d'ajout de liquide. N'enlevez pas les bouchons.

Au sujet des transports publics?

Votre batterie au Lithium-Ion iRIDE a été testée et est conforme à la norme UN38.3 du Règlement de transport des Nations Unies et à la norme 49 CFR 175.10 (a) (17).

NOTE: Les politiques et réglementations des compagnies aériennes peuvent varier. Vérifier avec la compagnie aérienne individuelle avant de voyager.

Comment remplacer une batterie dans mon scooter?



OBLIGATOIRE! Toutes les piles iRIDE doivent être achetées auprès d'un revendeur agréé. Le la batterie ne doit pas être ouverte.

MISE EN GARDE! Contactez votre marchand autorisé si vous avez des questions au sujet des batteries de votre scooter.



MISE EN GARDE! Ne pas procéder au remplacement lorsque quelqu'un y prend place.

MISE EN GARDE! Ne tirez pas directement sur les câbles pour les détacher du scooter. Il faut toujours prendre le connecteur pour détacher le câble afin d'éviter les dommages.

Pour changer la batterie, voir la figure 18:

1. Assurez-vous que le bouton d'alimentation de la batterie est éteint.
2. Débranchez les fils noir et rouge qui vont directement à la batterie.
3. Défaites la sangle de la batterie.
4. Retirez l'ancienne batterie du scooter.
5. Installez la nouvelle batterie sur le scooter.
6. Fixez la sangle de la batterie.
7. Connectez les fils noir et rouge de la nouvelle batterie au scooter.

NOTE: Contactez votre agence d'élimination des déchets locale ou votre revendeur agréé pour obtenir des informations sur l'élimination appropriée des batteries.

CLE D'IDENTIFICATION

1. Bouton d'alimentation/
Bouton du disjoncteur principal
2. Sangle de batterie
3. Boîtier de batterie
4. Connecteur de batterie

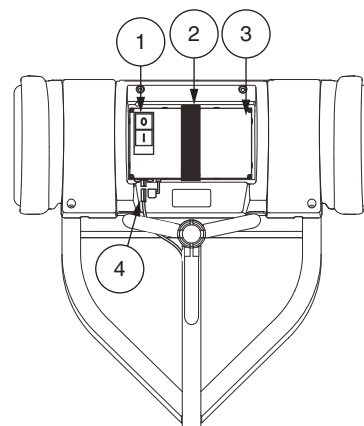


Figure 18. Remplacement de la batterie

IV. FONCTIONNEMENT

AVANT DE PRENDRE LA ROUTE

Apprenez à connaître les capacités et limites de votre scooter. Faites les vérifications requises avant chaque sortie pour vous assurer d'un fonctionnement sans problème et sécuritaire.

Inspectez les points suivants avant de prendre la route:

- Vérifiez la pression dans les pneus. Assurez-vous qu'ils ne sont pas endommagés ou excessivement usés.
- Inspectez les connexions électriques. Vérifiez qu'il n'y a pas de rouille et qu'elles soient bien serrées.
- Vérifiez le câble et les fils. Assurez-vous qu'elles soient branchées de façon sécuritaire.
- Vérifiez les freins afin de s'assurer qu'ils fonctionnent correctement.
- Vérifiez le compteur d'état de la batterie pour s'assurer que la batterie sont complètement chargées.
- Assurez-vous que le frein de stationnement est engagé avant de s'asseoir sur le scooter

VERIFICATIONS AVANT DEPART

- Le siège est-il bloqué en position?
- Le chemin que vous proposez est-il exempt de personnes, d'animaux domestiques et d'obstacles?
- Avez-vous choisi votre parcours afin d'éviter les pentes et les surfaces difficiles?

NOTE: Soyez prudent lorsque vous utilisez votre scooter sur des surfaces délicates, car des rayures et / ou des marques peuvent apparaître.

VERIFICATIONS AVANT DEPART

- Avez-vous complètement chargé les piles? Voir III. "Batteries et charge."
- Assurez-vous que le bouton de verrouillage de la barre est en position verrouillée. Voir VI. "Démontage et montage."
- Assurez-vous que le frein de stationnement est engagé
- Assurez-vous que la température de l'air se situe entre -20°C/-4°F et 60°C/140°F.
- Assurez-vous que l bouton d'alimentation est en position «OFF». **Voir la figure 12.**

S'INSTALLER SUR SON SCOOTER

1. Tenez-vous debout à côté de votre scooter.



MISE EN GARDE! N'essayez jamais de monter ou de descendre de votre scooter avec le scooter «ON». Assurez-vous que le frein de stationnement est serré avant de vous asseoir sur le scooter.

2. Assurez-vous que la siège est bien en place.
3. Asseyez-vous confortablement sur le siège.
4. Mettez l bouton d'alimentation sur «ON».
5. Vérifiez que vos pieds sont bien posés sur le repose-pied du scooter de voyage.

IV. FONCTIONNEMENT

FONCTIONNEMENT DE VOTRE SCOOTER

MISE EN GARDE! Les situations suivantes peuvent affecter la stabilité et/ou la conduite de votre Scooter:



- Tenir ou attacher la laisse de votre animal de compagnie.
- Prendre un passager (humain ou animal).
- Suspendre tout objet au guidon.
- Remorqué ou être poussé par un autre véhicule.

MISE EN GARDE! Gardez vos deux mains sur le guidon et les deux pieds sur le repose-pied en tout temps afin de conserver un meilleur contrôle de votre véhicule.

- Appuyez sur l’ bouton d’alimentation. Voir la figure 12.
- Tirez sur le côté approprié des poignées du guidon. Droite si vous voulez aller à droite, à gauche si vous voulez aller à gauche.
- Commencez toujours à la vitesse la plus basse. Appuyez sur le bouton de diminution de la vitesse sur la console du motoculteur. Voir la figure 11.
- Tournez la manette des gaz vers vous pour avancer.
- Pour aller tout droit, déplacez-vous vers la position centrale.
- Pour vous arrêter, relâchez la accélérateur tournante et engager le frein à main.

POUR DESCENDRE DE VOTRE SCOOTER

1. Arrêtez votre Scooter complètement.



MISE EN GARDE! N’essayez jamais de monter ou de descendre de votre scooter avec ce dernier toujours allumé. Cela empêchera le scooter de voyage de bouger si un contact accidentel avec le levier de commande de papillon est établi.

2. Appuyez sur le bouton «OFF» de le batterie.
3. Serrez le frein de stationnement en appuyant sur le levier du frein à main et engagez la goupille de verrouillage.
4. Descendez prudemment et tenez-vous debout près de votre Scooter.

V. REGLAGES CONFORT

REGLAGE DE LA HAUTEUR DU SIEGE

Le siège peut être repositionné à différentes hauteurs. Voir la figure 19.

1. Desserrez le levier à came.
2. Retirez la goupille fendue du nœud papillon de l'axe de chape en la faisant pivoter et retirez-la du trou à l'extrémité de l'axe de chape.
3. Retirez l'axe de chape de la tige de selle.
4. Soulevez ou abaissez le siège et sa tige de selle attachée à la hauteur de siège souhaitée.
5. Tout en maintenant le siège à la hauteur souhaitée, alignez les trous de réglage du siège avec la fente inférieure de la tige de siège.
6. Insérez complètement l'axe de chape.
7. Insérez l'extrémité ouverte de la goupille fendue dans le trou à l'extrémité de l'axe de chape et tournez-la jusqu'à ce que la section arrondie soit autour de l'axe de chape.
8. Serrez le levier à came.

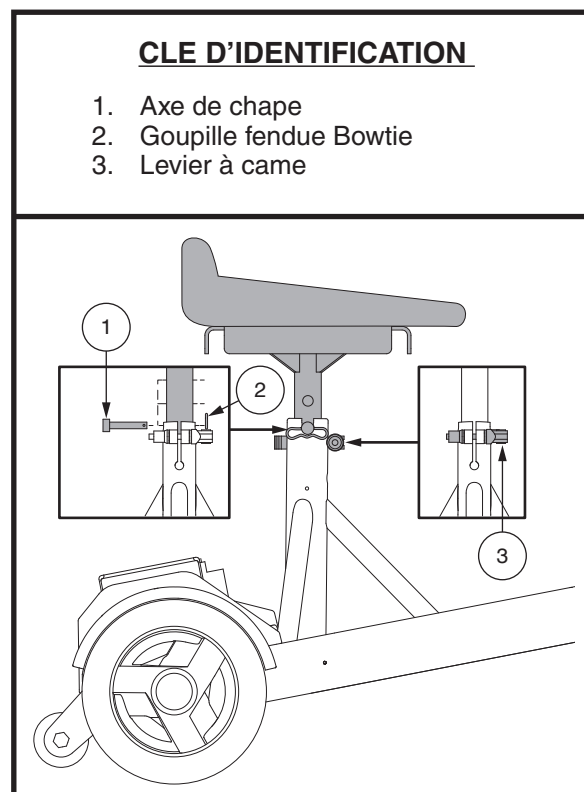


Figure 19. Réglage de la hauteur du siège

VI. MONTAGE ET DEMONTAGE

DEMONTAGE

Pour votre commodité, le manège peut être désassemblé pour le stockage et le transport.



MISE EN GARDE! Ne tentez pas de soulever plus que vous ne le pouvez. Demandez de l'aide au besoin pour l'assemblage ou le démontage de votre scooter.

BATTERIE ETEINTE

Assurez-vous que le batterie est éteinte. Voir la figure 12.

DEPOSE DE SIEGE

1. Desserrez le levier à came.
2. Enlevez le siège en le soulevant scooter.

LIBERATION DE LA TALLE

Pour libérer le motoculteur, desserrez le bouton de dégagement du motoculteur jusqu'à ce que le motoculteur se desserre et se replie lentement. Voir la figure 20. Si vous rencontrez une résistance lors du pliage tiller vers le bas, saisir fermement le centre du tiller et appliquer une légère pression sur le motoculteur en le poussant vers le bas.

NOTE: Pour abaisser complètement le motoculteur, vous devez d'abord retirer le siège.

Pour sécuriser le motoculteur en position verticale, maintenez-le parfaitement à la verticale serrer le bouton de dégagement de la barre.



MISE EN GARDE! Le motoculteur n'est pas conçu pour être utilisé comme porteur manipuler lors du transport du scooter de voyage.

REMPACEMENT DE SIEGE

1. Tout en tenant le siège, alignez les trous de réglage sur le siège et la tige de selle inférieure et insérez la tige. Voir la figure 19.
2. Insérer la goupille d'arrêt dans la tige de selle inférieure.
3. Serrer le levier à came.

ENLÈVEMENT DE LA BATTERIE

1. Assurez-vous que le batterie est éteinte.
2. Débranchez le connecteur de batterie du bloc-batterie.
3. Retirez la sangle de le batterie, soulevez-la et retirez le batterie.

PLIANT POUR LE TRANSIT

1. Desserrez le bouton de dégagement de barre jusqu'à ce que la barre se desserre et se réponde lentement.
2. Serrer le bouton de déverrouillage de la barre.
3. Enroulez fermement la corde autour de la poutre principale à l'aide de la bande velcro réutilisable pour fixer les sangles. Voir la figure 21.

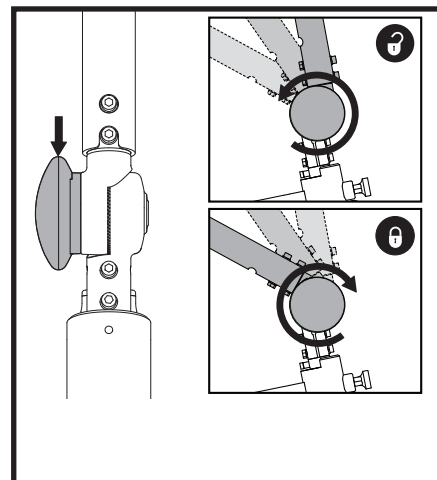


Figure 20. Bouton de dégagement de la fraise

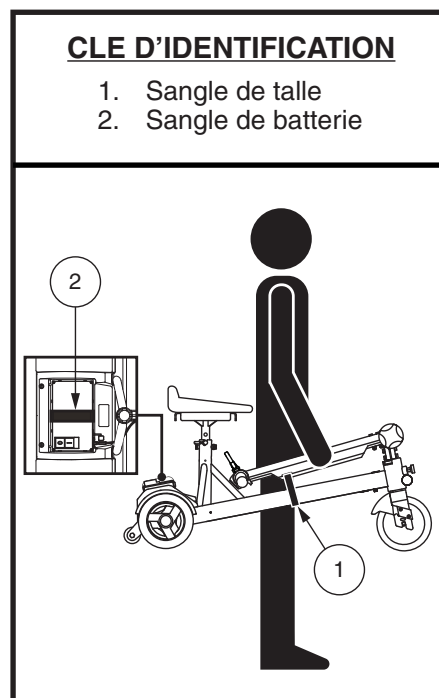


Figure 21. Pliage pour le transport

VII. PROBLEMES ET SOLUTIONS

Que faire si le scooter semble complètement “mort?”

- Assurez-vous que le bouton d'alimentation est sur “ON.”
- Vérifiez que les batteries soient pleinement chargées.
- Assurez-vous que le bloc-batterie est connecté étroitement et correctement.
- Assurez-vous que la batterie est correctement installée.

Que faire si la batterie de mon scooter ne se recharge pas?

- Assurez-vous que les deux extrémités du cordon du chargeur sont bien branchées.
- Si le disjoncteur principal du module à batteries saute continuellement, contactez votre marchand autorisé.
- Assurez-vous que le bouton de la batterie est sur “ON.”

Que faire si le disjoncteur saute à répétition?

- Si le disjoncteur principal saute continuellement, contactez votre marchand autorisé.
- Rechargez le bloc de la batterie du scooter plus souvent. Voir III. “Batteries et charge.”
- Voyez la section III. “Batteries et recharge” ou la section “Specifications de Produit” pour les informations concernant les batteries de votre scooter.

VIII. SOINS ET ENTRETIEN

Votre scooter demande un minimum de soins. Si vous croyez ne pas posséder les connaissances et habiletés pour exécuter les consignes suivantes, vous pouvez les faire exécuter par votre marchand autorisé. Les points suivants demandent un entretien périodique.

PNEUS

Inspectez régulièrement les pneus pour détecter les signes du dommage ou d'usure.

REPLACEMENT D'UNE ROUE/PNEU

Votre scooter est équipé de pneus à âme pleine. Si vous avez un pneu endommagé ou usé, la roue entière doit être remplacée. Contactez votre marchand autorisé pour de plus amples informations au sujet des pneus de remplacement pour votre scooter.



MISE EN GARDE! Seulement votre marchand autorisé ou un technicien spécialisé doit réparer les roues de votre scooter.

MISE EN GARDE! Assurez-vous que le scooter est «OFF» et le faisceau de batterie est non connecté avant d'effectuer cette procédure.

SURFACES EXTERNES

Les pare-chocs et garnitures peuvent bénéficier d'une couche occasionnelle de protecteur à caoutchouc.



MISE EN GARDE! Ne jamais appliquer de protecteur à caoutchouc sur la bande de roulement des pneus ou sur le siège de vinyle au risque de les rendre très glissants.

NETTOYAGE ET DESINFECTION

- Utilisez un linge humide sans agent abrasif pour nettoyer les surfaces de métal ou de plastique de votre scooter. Évitez les produits abrasifs qui abîmeront les surfaces de votre scooter.
- Au besoin, utiliser un produit désinfectant. Assurez-vous que le produit n'est pas dangereux avant de l'utiliser.



MISE EN GARDE! Respectez les consignes d'utilisation du produit de nettoyage. Lisez les instructions avant d'utiliser le produit sous peine d'endommager le recouvrement et les finis ou de provoquer une irritation cutanée.

CONNEXIONS DU PACK BATTERIE

Assurez-vous que les connecteurs des bornes de la batterie sont serrés et non corrodés.

CABLAGES ELECTRIQUES

- Vérifiez régulièrement l'état de la gaine du câble avant/arrière.
- Inspectez régulièrement la gaine protectrice de fils et câbles incluant le cordon du chargeur à batteries.
- Faites réparer tous les câbles ou les fils endommagés par votre marchand autorisé avant d'utiliser votre scooter.



INTERDIT! Même si votre scooter a réussi un test de résistance à l'humidité, éloignez-le des sources d'humidité ou de liquide tel que l'eau de lavage et l'incontinence. Inspectez régulièrement les composants pour déceler la corrosion.



MISE EN GARDE! Ne tirez pas directement sur les câbles pour les détacher du scooter. Il faut toujours prendre le connecteur pour détacher le câble afin d'éviter les dommages.

VIII. SOINS ET ENTRETIEN

ENTRETIEN QUOTIDIEN

- L'appareil étant éteint, vérifiez la accélératrice tournante. Assurez-vous qu'il est au point mort lorsque vous le tournez. N'essayez pas de le réparer. Consultez votre marchand agréé en cas de problème.
- Inspectez visuellement tous les câbles de la barre. Assurez-vous qu'aucun n'est effiloché, coupé ou que des fils ne soient exposés. Consultez votre marchand agréé en cas de problème.
- Recherchez des crevaisons sur des pneus pleins. Des taches plates pourraient nuire à la stabilité.
- Vérifiez les freins. Cet essai doit être effectué sur une surface plane avec au moins un mètre de dégagement autour de votre scooter.
- Vérifiez les poignées de frein et les fils tous les jours. Contactez votre marchand agréé en cas de problème.

Pour vérifier les freins:

1. Allumez la batterie.
2. Assurez-vous que toutes les connexions de la conduite de frein sont sécurisées.
3. Tournez la accélératrice tournante pour accélérer et engager le levier de frein vers vous. Assurez-vous que le scooter vient lentement à un arrêt.

VERIFICATIONS HEBDOMADAIRES

- Inspectez le affichage de la barre, le bloc-batterie, et le pneu avant pour détecter toute trace de corrosion. Contactez votre marchand agréé si nécessaire.

VERIFICATIONS MENSUELLES

- Vérifiez l'usure des pneus. Consultez votre marchand agréé pour réparation.
- Gardez votre scooter propre et exempt de corps étrangers tels que boue, saleté, cheveux, nourriture, boisson, etc.

VERIFICATIONS ANNUELLES

Apportez votre scooter chez votre marchand autorisé au moins une fois par année pour une inspection, surtout si vous utilisez votre scooter régulièrement. Vous serez ainsi assuré qu'il fonctionne correctement et vous préviendrez des complications futures.

PARE-CHOC

Si votre scooter dispose d'un pare-chocs avec une **finition brillante** , le pare-chocs a été pulvérisé avec un revêtement d'étanchéité transparent. Vous pouvez appliquer une légère couche de cire de voiture pour l'aider à conserver son aspect brillant. Si votre scooter dispose d'un pare-chocs avec une **finition mate** , utilisez **UNIQUEMENT** les produits développés pour la peinture mate. N'utilisez pas de cire, d'aérosol de nettoyage, ArmorAll® ou tout autre produit fabriqué pour des peintures brillantes.



MISE EN GARDE! Choisissez avec précaution le produit approprié pour protéger la finition du ou des pare-chocs de votre scooter. Seuls les produits développés pour la peinture mate doivent être utilisés sur des pare-chocs avec une finition mate. Le non-respect de cette mise en garde peut endommager le fini de peinture mate du pare-chocs

ROULEMENTS A BILLE ET MODULE TRANSMISSION

Ces pièces sont scellées à l'usine et ne requièrent aucune lubrification.

CONSOLE, CHARGEUR ET MODULE DE COMMANDES ELECTRONIQUES

- Protégez-les de l'humidité.
- Si une de ces composantes venaient à être exposée à de l'humidité, laissez sécher votre scooter complètement avant de l'utiliser à nouveau.

VIII. SOINS ET ENTRETIEN

REPLACEMENT D'ECROU AUTOFREINE EN NYLON

Tout écrou autofreiné en nylon retiré pendant l'entretien périodique, la réparation, le montage ou démontage du scooter doit être remplacé par un neuf. Les écrous de nylon ne doivent pas être réutilisés car ceux-ci peuvent se desserrer et entraîner un danger. Des écrous de remplacement en nylon sont disponibles dans les quincailleries ou chez votre marchand autorisé.

ENTREPOSAGE DE VOTRE SCOOTER

Si vous pensez ne pas utiliser votre scooter pour une période prolongée:

- Rechargez les batteries complètement avant d'entreposer votre scooter.
- Débranchez les batteries du scooter.
- Entreposez votre scooter dans un endroit sec à l'abri du gel.
- Évitez d'entreposer votre scooter dans un endroit exposé à des températures extrêmes.
- Température de stockage recommandée: -40°C/-40°F à 65°C/149°F.

Des batteries qui sont souvent déchargées trop profondément, rechargées de manière infrequente, entreposées sous des températures extrêmes ou insuffisamment chargées peuvent être endommagées de façon permanente. Ces batteries auront de piètres performances et durent moins longtemps. Il recommande de recharger la batterie de votre scooter de façon périodique pendant l'entreposage prolongé afin de protéger leurs performances futures.



MISE EN GARDE! Si la batterie de votre scooter venait à geler, ne tentez pas de la recharger. Une batterie gelée doit être laissée dans un endroit tempéré plusieurs jours avant d'être rechargée.

Afin de protéger les pneus pendant l'entreposage, placez des cales de bois sous le scooter de manière à ce que les pneus ne soient pas en contact avec le sol. Ceci évitera la déformation de la semelle.

COMMENT DISPOSER DE VOTRE SCOOTER

Vous devez disposer de votre scooter en respectant les règlements en vigueur dans votre localité. Contactez votre centre de recyclage ou votre marchand autorisé pour les informations pour la mise au rebut de l'emballage, des composants métalliques, plastiques, électroniques, batteries, néoprène, silicone, et les matériaux de polyuréthane.



MISE EN GARDE! Les sacs en plastique présentent un risque de suffocation. Jeter les sacs en plastique correctement et ne pas permettre aux enfants de jouer avec eux.

NOTES



MONTAJE



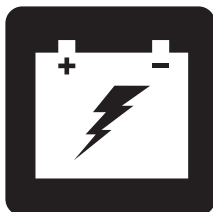
FUNCIONAMIENTO



CONFORT



MANTENIMIENTO



BATERÍAS Y SU CARGA



iRIDE™

(S25)

MANUAL DE USUARIO

CONSIGNAS DE SEGURIDAD



ADVERTENCIA! Un comerciante autorizado o un técnico cualificado deberá realizar la configuración inicial del scooter, así como cualquier otro procedimiento de este manual.

Los símbolos que se muestran a continuación son utilizados en este manual y en el scooter para identificar advertencias y avisos importantes. Asegúrese de que los ha leído y comprendido perfectamente.



¡ADVERTENCIA! Indica una situación o circunstancia potencialmente peligrosa. De no seguir los procedimientos indicados, podría provocar en usted o en terceros lesiones físicas, y daños o averías en el material. En el producto, este icono tiene forma de símbolo negro en un triángulo amarillo con borde negro.



¡OBLIGATORIO! Pasos que deben realizarse tal y como se indica. De no realizar las acciones obligatorias, podría sufrir lesiones y/o daños en el material. En el producto, este icono tiene forma de símbolo blanco sobre un círculo azul con borde blanco.



¡PROHIBIDO! Estas acciones están prohibidas, cualquiera que sea el tiempo o las circunstancias. La realización de acciones prohibidas puede provocar lesiones personales y/o daños en el material. En el producto, este icono tiene forma de símbolo negro con un círculo y raya rojos.



¡ADVERTENCIA DE LA PROPOSICIÓN 65 DE CALIFORNIA! Este producto puede contener sustancias que, según el estado de California, causan cáncer, defectos de nacimiento u otros daños reproductivos. Para obtener más información, vaya a www.P65Warnings.ca.gov.

USO INDICADO

El uso previsto de este Scooter Pride Mobility Products® es proporcionar movilidad a las personas con el uso completo de sus extremidades superiores e inferiores y que puedan sostenerse en posición vertical. Este producto es principalmente para uso en interiores y las capacidades al aire libre se limitan a superficies duras, planas e incluso tales como concreto, superficie negra y otras superficies similares. Si bien entendemos que las capacidades exteriores del scooter son limitadas, cuando conduzca cerca de obstáculos desiguales, siga las pautas de seguridad descritas en la sección de seguridad de este manual.

Este producto no es un dispositivo médico y no está destinada a ayudar, tratar, diagnosticar o aliviar cualquier dolencia o discapacidad.

NOTA: El presente manual de instrucciones recoge las últimas especificaciones e informaciones disponibles en el momento de su publicación. Nos reservamos el derecho a aportar modificaciones en caso necesario. Cualquier modificación en nuestros productos puede provocar ligeras variaciones entre las ilustraciones y explicaciones de esta guía y el producto que ha comprado. En nuestro sitio web encontrará la versión última/actual de este manual.

NOTA: Este producto cumple las directivas y normativas WEEE, RoHS y REACH.

NOTA: Este producto cumple con la clasificación IPX4 (IEC 60529).

NOTA: Ni scooter ni sus componentes están fabricados con látex de goma natural. Consulte al fabricante con respecto a cualquier accesorio o pieza de repuesto.



ÍNDICE

CONSIGNAS DE SEGURIDAD	74
INTRODUCCIÓN	76
I. SEGURIDAD	77
II. SU SCOOTER	93
III. BATERÍAS Y SU CARGA	96
IV. FUNCIONAMIENTO	100
V. OPTIMIZAR EL CONFORT	102
VI. DESMONTAJE/MONTAJE	103
VII. RESOLUCIÓN DE PROBLEMAS	104
VIII. CUIDADO Y MANTENIMIENTO	105

INTRODUCCIÓN

SEGURIDAD

La scooter que acaba de adquirir combina los componentes más vanguardistas con lo último en **seguridad**, confort y estilo. Estamos seguros de que las características de su diseño le proporcionarán toda la utilidad que usted exige en sus tareas cotidianas. Aprenda a manejar y cuidar **correctamente** su scooter y podrá disfrutar de ella durante años.

Antes de utilizar su scooter por primera vez, **lea detenidamente** todas las instrucciones, advertencias y notas de este manual. Además, deberá leer todas las instrucciones, advertencias y notas de cualquier folleto de instrucciones adicional suministrado con su scooter. Para garantizar su **seguridad**, recuerde que tanto usted como su comerciante, cuidador o profesional sanitario deberán utilizar el sentido común a la hora de manejar esta scooter.

Si hay algo que no entiende o si necesita ayuda adicional para la configuración o el funcionamiento, consulte con su comerciante autorizado. **El incumplimiento de las instrucciones de este manual y aquellas situadas en su scooter podría provocarle lesiones corporales o problemas técnicos en su scooter, además de invalidar la garantía del producto.**

ACUERDO DEL COMPRADOR

Al aceptar la entrega de este producto, el comprador asegura que no cambiará, alterará o modificará el mismo, ni quitará o inutilizará o volverá inseguros los dispositivos de protección y seguridad del producto. Asimismo, se compromete a instalar los kits de actualización que regularmente proporcione con objeto de mejorar o preservar la utilización correcta de este producto.

ENVÍO Y ENTREGA

Antes de utilizar su scooter, compruebe que no le falte ningún componente (algunos pueden venir empaquetados individualmente). Si le faltara alguna pieza de la scooter, póngase en contacto de forma inmediata con su comerciante autorizado. Asimismo, si observa algún daño ocasionado durante el transporte, ya sea en el embalaje o el contenido, póngase en contacto con el transportista.

NOTA: Si perdiera o extraviara este manual, póngase en contacto con nosotros y le enviaremos inmediatamente uno nuevo.

I. SEGURIDAD

GENERAL



¡OBLIGATORIO! Antes de utilizar su Scooter por primera vez, lea y siga todas las instrucciones de este manual.

Si encuentra algún problema, póngase en contacto con su comerciante autorizado. Consulte la hoja de información de contacto suministrada con el producto.

SÍMBOLOS DE SEGURIDAD

Estos símbolos aparecen en su Scooter y sirven para identificar advertencias, acciones obligatorias o prohibidas. Asegúrese de que los ha leído y comprendido perfectamente.



Lea con atención la información del manual de usuario.



Etiqueta de información del Scooter



Antes de empezar a manejarlo, cargue completamente la batería.

Coloque el botón de encendido de la batería en la posición de apagado en un scooter desatendido.



o



No cumple la normativa ISO 7176-19 sobre vehículos de transporte ocupados dentro de un vehículo a motor. No permanezca sentado en su Scooter mientras viaja en un vehículo a motor.



Fabricado en



Indica una situación potencialmente peligrosa que, de no ser evitada, podría provocar la muerte o una lesión grave. También pueden provocarse daños a la propiedad.



Indica peligro de electrocución.



Interferencias electromagnéticas y de radiofrecuencia (EMI / RFI): Este producto ha sido probado y aprobado para un nivel de inmunidad de 3 V/m.



Indica que existen posibilidades de que se produzca una explosión.

I. SEGURIDAD



La batería contienen sustancias químicas corrosivas.



Existen puntas afiladas/punzantes.



Indica una acción obligatoria que debe realizarse según lo especificado para evitar una condición/situación peligrosa. Si no se realizan las acciones obligatorias, esto puede provocar una lesión personal y/o dañar el equipo.



Indica una capacidad de carga máxima. Manténgase dentro de la capacidad de carga especificada para su producto.



DOT 49 CFR 175.106(a)(17)

Esta batería ha sido probada y cumple con la norma UN38.3 del Reglamento de Transporte de las Naciones Unidas. Verifique con la aerolínea antes del viaje.



Proteger de fuentes de calor.



Su producto debe ser desechado conforme a las normativas legales locales o nacionales que resulten aplicables. Contacte a su empresa local de eliminación de residuos o al comerciante autorizado para solicitar más información sobre la forma adecuada de eliminar el embalaje, los componentes del cuadro metálico, los componentes plásticos, las partes electrónicas, la batería, el neopreno, la silicona, y los materiales de poliuretano.



Contacte a su centro de reciclado local o al comerciante autorizado para obtener información sobre la forma adecuada de reciclar los componentes del producto.



Indica que el componente es para ser usado en interiores exclusivamente.



Mantenga el área limpia.



Mantenga el área seca.



Indica una acción prohibida que no debe realizarse en ningún momento y bajo ninguna circunstancia. Si lo hace, podría provocar lesiones personales y/o daños al equipo.



Evite el contacto de herramientas y otros objetos metálicos con los terminales de batería. El contacto con herramientas puede producir descargas eléctricas.

I. SEGURIDAD



No permita que los niños jueguen cerca de su scooter mientras la batería se están cargando.



No conecte un cable de extensión para el convertidor AC / DC o al cargador de la batería.



No utilice teléfono móvil, walkie-talkie, laptop u otro transmisor de radio durante el funcionamiento.



Indica material inflamable. No lo exponga a fuentes de calor como llamas o chispas. No transporte la batería con materiales inflamables o combustibles.



No manipule, modifique ni trate de reparar el dispositivo de movilidad. Contáctese con su comerciante autorizado para obtener servicios de mantenimiento o reparación.



Evite la exposición a la lluvia, la nieve, el hielo, la sal o el agua estancada siempre que sea posible. Mantener y almacenar en condiciones limpias y secas.



No quite las ruedas antivuelco.



Mantenga sus manos, su ropa y otros objetos lejos de las ruedas cuando conduzca. No deje que ningún artículo u objeto personal se arrastre detrás del scooter cuando conduzca. Tenga en cuenta que la ropa suelta u otros objetos pueden quedar atrapados en las ruedas y/o pueden engancharse en el engranaje.

I. SEGURIDAD

Pautas generales de seguridad

Su scooter es un dispositivo de última generación para mejorar la calidad de vida, que está diseñado para aumentar su movilidad. Ofrecemos una amplia variedad de productos para adaptarnos mejor a las necesidades específicas de cada usuario su scooter. Por favor, tenga en cuenta que la decisión final sobre la selección y compra del tipo su scooter a utilizar es responsabilidad del usuario de la misma, quien es capaz de tomar dicha decisión.

¡ADVERTENCIA! No opere su scooter por primera vez sin haber leído y comprendido completamente toda la información disponible con scooter, la cual incluye las etiquetas de seguridad, los manuales del propietario y los folletos instructivos complementarios, entre otras cosas.

¡ADVERTENCIA! El iRIDE no está diseñado para ser utilizado por personas que no puede mantenerse en una posición vertical.

¡ADVERTENCIA! Antes de operar su scooter, familiarícese con la ubicación y el uso de los controles, incluido el timón para la dirección, el acelerador de giro para acelerar y el freno de mano para detenerse. Durante la operación, a menos que agarre el freno de mano, mantenga ambas manos en el timón en todo momento para garantizar un funcionamiento seguro del scooter. Si no se suelta el acelerador de giro y se acciona el freno de mano al detener el scooter, se pueden colisionar con personas u objetos que pueden provocar daños a la propiedad, lesiones personales o la muerte.



¡ADVERTENCIA! El iRide está diseñado para funcionar en superficies planas y uniformes, ya sea en interiores o exteriores. Los ejemplos de “interiores” generalmente incluyen, entre otros, linóleo, madera dura, baldosas, alfombras sin pelo y de pelo bajo. Los ejemplos de “exteriores” típicamente incluyen, entre otros, concreto, asfalto, macadán y ciertas configuraciones de ladrillo refinado. No opere su scooter sobre o cerca de superficies irregulares como escaleras, caídas, cornisas, césped, grava, arena, mantillo, tierra, barro u hormigón deteriorado, asfalto u otras superficies irregulares. El incumplimiento de esta advertencia puede ocasionar daños al producto o causar inestabilidad y vuelco, lo que puede provocar lesiones personales o la muerte.

A continuación encontrará precauciones, consejos y otras consideraciones de seguridad, cuyo objetivo es ayudarlo a que se acostumbre a operar su scooter con seguridad. Si bien reconocemos que los usuarios de las su scooter frecuentemente desarrollarán habilidades para realizar sus actividades cotidianas que pueden diferir de las que se ilustran en esta guía, es fundamental que se respeten todas las pautas de seguridad de este manual para garantizar la seguridad de los usuarios. Si no sigue los avisos de seguridad en éste y otros manuales provistos por el fabricante y aquellos que acompañan a su scooter, podría sufrir lesiones y/o provocar daños a la su scooter, y esto podría anular la garantía del producto.

Modificaciones

Hemos diseñado y fabricado nuestra scooter para brindar la máxima movilidad y utilidad. bajo ninguna circunstancia debe modificar, agregar, retirar o desactivar ninguna función, parte o funcionalidad de su scooter.

¡ADVERTENCIA! No modifique su scooter de ninguna manera que no esté autorizada por su comerciante. No utilice accesorios si estos no han sido probados o aprobados para su scooter. Los accesorios aprobados deben ser instalados por su comerciante autorizado o por un técnico de servicio calificado.



¡ADVERTENCIA! Agregar accesorios a la scooter puede modificar el peso, tamaño y/o centro de gravedad generales de su scooter. Es importante tener en cuenta estos cambios para evitar daños a la scooter y la propiedad circundante.



¡ADVERTENCIA! No agregue ninguna rueda lateral lateral ni otras mejoras de estabilidad del cuerpo lateral. Si lo hace, puede disminuir la distancia al suelo y promover la inestabilidad cuando el usuario entra en contacto con cualquier superficie elevada. Reconocemos que ciertos productos de alta capacidad de peso tienen ruedas laterales antivuelco. Estos están diseñados para mejorar la estabilidad del scooter durante la transferencia y el apagado del scooter.

El centro de gravedad de su sistema de asiento fue fijado en fábrica a una posición que satisfaga las necesidades de la mayoría demográfica de los usuarios.

I. SEGURIDAD



¡ADVERTENCIA! No modifique la configuración de su asiento sin primero contactarse con su comerciante autorizado. Sólo su comerciante autorizado o un técnico de servicio capacitado deberían realizar ajustes al sistema de asiento.



¡ADVERTENCIA! No use sistemas de asiento que no hayan sido evaluados y aprobados para su scooter. El uso de sistemas de asiento no aprobados podría afectar el centro de gravedad de su scooter, provocando una inclinación o una caída.

No debe modificar el sistema eléctrico de ninguna manera que no esté autorizada por el fabricante de la scooter.

¡ADVERTENCIA! No conecte ningún repuesto o dispositivo auxiliar al sistema eléctrico de la scooter, ni utilice la batería de su scooter para alimentar cualquier repuesto o dispositivo auxiliar, a menos que use un adaptador que haya sido probado y aprobado por el fabricante de la su scooter. No corte ni empalme ningún alambre, cable o arnés del equipo original con el fin de añadir repuestos o dispositivos auxiliares a la su scooter, pues esto puede provocar daños en el sistema eléctrico y la batería.



¡ADVERTENCIA! No jale los cables eléctricos directamente para separarlos de la su scooter. Al desconectar el arnés, siempre debe sujetar el conector para evitar daños en los alambres.



¡ADVERTENCIA! Asegúrese de que los conectores del cable de alimentación del cargador externo estén limpios y secos antes de enchufar los conectores al enchufe del cargador externo o el enchufe eléctrico. Realice revisiones de mantenimiento del cable de alimentación del cargador regularmente. No hacerlo puede provocar un daño en el sistema eléctrico y/o lesiones personales.

¡ADVERTENCIA! En caso de pérdida de transmisión de energía hacia la su scooter, trasládela a una posición segura, buscando asistencia de ser necesario. Contacte inmediatamente a su comerciante autorizado para informarle sobre el incidente.

Limitaciones con respecto al peso

Su scooter es apta para una capacidad máxima de peso. Por favor, vea las especificaciones del producto para saber cuál es ese límite. Recuerde que la capacidad máxima de peso incluye el peso combinado del usuario y de todos los accesorios montados sobre la scooter. Manténgase dentro de la capacidad de peso especificada para su scooter. Exceder la capacidad de peso anula su garantía. Nosotros no será responsable por las lesiones y/o los daños a la propiedad que se produzcan por no respetar estas limitaciones con respecto al peso.



¡ADVERTENCIA! Le recomendamos que no utilice el scooter como asiento durante las actividades de entrenamiento con peso, o como aparato de entrenamiento con pesas. Tal uso puede llevar a estrés y fatiga excesiva de los componentes del scooter, y también puede afectar al centro de gravedad, lo que resultará en una inclinación o caída. El fabricante no se hará responsable por las lesiones y/o daños materiales ocasionados por el uso del scooter en actividades de entrenamiento con peso, o como aparato de entrenamiento con pesas.



¡ADVERTENCIA! No lleve pasajeros en su scooter. El transporte de pasajeros en su scooter puede afectar el centro de gravedad, lo que podría resultar en una inclinación o caída. No seremos responsables por las lesiones y/o los daños a la propiedad causados por transportar pasajeros sobre la su scooter.



¡ADVERTENCIA! No use la scooter para arrastrar, mover o remolcar otros vehículos, incluidas podadoras de césped, equipos todo terreno u otros dispositivos de movilidad. El scooter no fue diseñada pensando en ese uso, y el fabricante de su scooter no es responsable por cualquier daño o lesión que ocurran a causa de dicho uso.

I. SEGURIDAD



Figura 1. Limitaciones con respecto al peso

Incline Information

Cada vez más edificios tienen rampas con grados de inclinación especificado, diseñadas para un acceso fácil y seguro. Algunas rampas son en zigzag (giros de 180 grados) que requieren que usted posea buenas habilidades en las curvas con su scooter.

- Proceda con extrema precaución al acercarse a la bajada de una rampa o pendiente.
- Realice movimientos amplios con las ruedas delanteras de su scooter alrededor de las curvas cerradas. Si lo hace, las ruedas traseras del scooter seguirán un arco amplio, y no chocará con las barandillas de las esquinas.
- Al descender una rampa, regule la velocidad del scooter a la velocidad más baja, para bajar de manera controlada.
- Evite detenciones y arranques bruscos.

Al subir una pendiente, intente mantener el scooter en movimiento. Si usted tiene que detenerse, vuelva a arrancar despacio, y acelere con precaución. Al descender una pendiente, regule su scooter a la velocidad más baja y ajuste la unidad en la dirección de avance solamente. Si su scooter empieza a descender por la pendiente más rápido de lo previsto o deseado, deje que se detenga por completo soltando la palanca de control del y accione las palancas de freno ligeramente hasta que alcance la velocidad deseada.



¡ADVERTENCIA! Nunca coloque el scooter en marcha libre en ningún tipo de subida o bajada, Asegúrese de que el freno de estacionamiento esté puesto.



¡ADVERTENCIA! Al subir una pendiente, no lo haga en zigzag ni conduzca la unidad en un ángulo de cara a la pendiente. Conduzca su scooter pendiente arriba. Esto reduce considerablemente el riesgo de vuelco o caída. Siempre tenga mucho cuidado al sortear una pendiente.



¡ADVERTENCIA! Nunca se desplace hacia arriba o hacia abajo en pendientes potencialmente peligrosas, incluyendo — pero no limitado a — áreas cubiertas de nieve, hielo, pasto recién cortado, u hojas mojadas.

¡ADVERTENCIA! Nunca descienda una pendiente o rampa hacia atrás. Si lo hace, puede hacer que el scooter vuelque. Siempre tenga mucho cuidado al sortear una pendiente.

Las rampas de acceso público para discapacitados no están sujetas a regulaciones gubernamentales en todos los países, y por lo tanto no comparten el mismo estándar sobre el grado de inclinación. Otras pendientes pueden ser naturales o, en caso de ser hechas por el hombre, pueden no estar diseñadas específicamente para su scooter. La capacidad de su scooter para viajar a través de pendientes se ve afectada por su peso, la velocidad de viaje, el ángulo de aproximación a la pendiente y la configuración de su scooter, incluida la configuración del asiento. Por lo tanto, le recomendamos que la inclinación máxima de una pendiente por la cual intente ascender o descender de manera segura en su scooter no supere la pendiente máxima que figura en las especificaciones del producto. Vea la siguiente tabla para encontrar pautas sobre el grado de inclinación estándar disponibles para cada región. **Vea la figura 2.**

I. SEGURIDAD

Ubicación geográfica	Requisito de inclinación segura mínima
Estados Unidos (Ley para Estadounidenses con Discapacidades [ADA])	La ADA exige 5° (8.7%)
Europa (marca CE) Clase A	3° (5.2%)
Europa (marca CE) Clase B	6° (10.5%)
Europa (marca CE) Clase C	10° (17.6%)

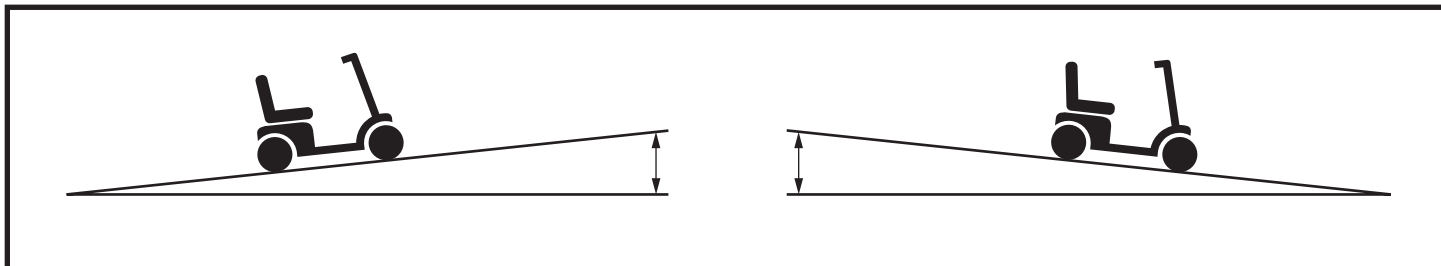


Figura 2. Ángulo de inclinación máxima recomendado (en ascensos y descensos)

¡ADVERTENCIA! Su scooter ha sido probado de acuerdo con determinados estándares. Usted no debe exceder las especificaciones de rendimiento de su scooter, tal como se indican en las especificaciones del producto.



¡ADVERTENCIA! Cualquier intento de ascender o descender por una pendiente más pronunciada que la específicamente recomendada para su scooter puede colocar a su scooter en una posición inestable y hacer que ésta vuelque.

¡ADVERTENCIA! Nunca transporte o agregue cualquier accesorio que afecte negativamente el centro de gravedad o exceda la capacidad de peso del scooter.. Esto podría afectar el centro de gravedad del scooter, resultando en un vuelco.

Cuando se acerque a una pendiente, es mejor inclinarse hacia adelante. Esto desplazará su centro de gravedad y el de su scooter hacia la parte delantera del scooter para mejorar la estabilidad. **Vea las figuras 3 y 4.**



Figura 3. Posición normal de conducción



Figura 4. Posición de conducción de mayor estabilidad

I. SEGURIDAD



Figura 5. Empuje Seguro

Información sobre el sistema de frenos

Los scooters están equipados con tres sistemas de frenos: frenos, freno suplementario, y un freno de estacionamiento. Las palancas de freno deben activarse manualmente para disminuir la velocidad del vehículo hasta que se detenga. Ver “II. Your Scooter” para información de frenado.

A menos que esté equipada con un dispositivo especial, la velocidad de su scooter es controlada por una palanca de mando. Cuando el acelerador giratorio se mueve desde la posición neutral, el scooter comenzará a moverse hacia adelante. Cuanto mayor sea la presión que se aplique contra la palanca de mando, más rápido se moverá el vehículo hasta una velocidad máxima predeterminada. Cuando la palanca de mando vuelve a ser colocada en la posición neutral, la señal electrónica se invierte y la aceleración hacia adelante se detiene. El freno de mano manual debe ser comprometido a com a una parada controlada.

AVISO: Si el acelerador de giro del puño giratorio se suelta a la posición neutral al negociar una inclinación, el scooter puede “retroceder”. Enganche palanca de freno para detener el retroceso del scooter.

Información de curvas

La velocidad excesivamente alta en las curvas pueden generar la posibilidad de un vuelco. Los factores que afectan a la posibilidad de vuelco incluyen, pero no se limitan a: velocidad en las curvas, ángulo de dirección (cuán bruscamente está girando), superficies irregulares, superficies inclinadas, conducir desde un área de baja tracción a un área de alta tracción (como pasar de un área empedrada a un área alfombrada, especialmente a alta velocidad mientras giro), y cambios direccionales bruscos. No es recomendable circular a alta velocidad en las curvas. Si usted siente que puede volcar en una curva, reduzca la velocidad y el ángulo de dirección (es decir, abriendo el ángulo de giro) para evitar que su scooter se incline.



¡ADVERTENCIA! Cuando tome curvas cerradas, reduzca su velocidad y mantenga un centro de gravedad estable. Evite desplazar el peso en la dirección opuesta a la curva, porque puede hacer que el scooter pierda tracción y vuelque.

I. SEGURIDAD

Obstáculos fijos (Escalones, bordillos, etc.)

Proceda con extrema precaución al conducir cerca de superficies elevadas, salientes desprotegidas y/o bajadas (aceras, porches, escaleras, etc.). Consulte las especificaciones para obtener información sobre la altura máxima de escalada de obstáculos para su scooter.

Para pasar a lo largo de una acera o un obstáculo fijo:

1. Acérquese a la acera u obstáculo lentamente, y asegúrese de que el scooter se desplacen en dirección perpendicular al obstáculo. **Vea la figura 6.**
2. Aumente la velocidad de avance justo antes de que la rueda delanteras entren en contacto con el obstáculo.
3. Reduzca la velocidad de avance sólo cuando las ruedas traseras hayan sorteado el obstáculo.

Para navegar por un bordillo o un obstáculo fijo:

1. Acérquese a la acera u obstáculo lentamente, y asegúrese de que el scooter se desplace en dirección perpendicular al obstáculo. **Vea la figura 6.**
2. Reduzca la velocidad de avance justo antes de que la rueda delanteras tomen contacto con el obstáculo.
3. Aumente la velocidad de avance sólo cuando las ruedas traseras se hayan liberado del obstáculo y esté nuevamente en una superficie plana.

¡ADVERTENCIA! A pesar de que el scooter puede ser capaz de lidiar con obstáculos más grandes, le recomendamos que no trate de sortear un bordillo con una altura mayor a 4 cm (1.5 pulgadas). Si lo hace, podría causar inestabilidad en su scooter.

¡ADVERTENCIA! No intente hacer que su scooter suba o baje por obstáculos que son excesivamente altos.

¡ADVERTENCIA! No trate de hacer que su scooter retroceda descendiendo de cualquier escalón, bordillo, u otro obstáculo. Esto puede hacer que el scooter vuelque.

¡ADVERTENCIA! No se acerque a los bordillos en ángulo, acérquese, de frente a cualquier bordillo que usted desee ascender o descender.

¡ADVERTENCIA! El iRide está diseñado para funcionar en superficies planas y uniformes, ya sea en interiores o exteriores. Los ejemplos de "interiores" generalmente incluyen, entre otros, linóleo, madera dura, baldosas, alfombras sin pelo y de pelo bajo. Los ejemplos de "exteriores" típicamente incluyen, entre otros, concreto, asfalto, macadán y ciertas configuraciones de ladrillo refinado. No opere su scooter sobre o cerca de superficies irregulares como escaleras, caídas, cornisas, césped, grava, arena, mantillo, tierra, barro u hormigón deteriorado, asfalto u otras superficies irregulares. El incumplimiento de esta advertencia puede ocasionar daños al producto o causar inestabilidad y vuelco, lo que puede provocar lesiones personales o la muerte.

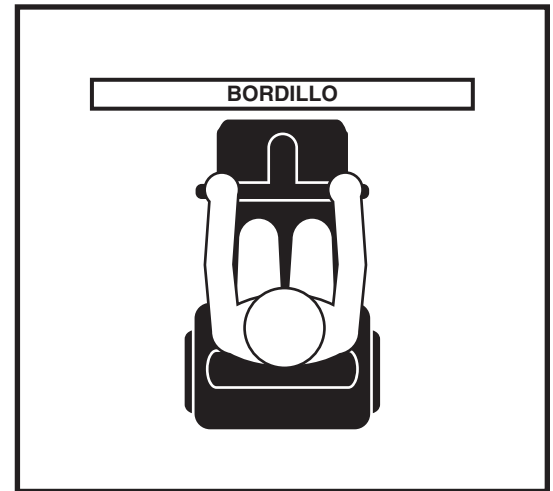


Figura 6. Modo correcto de subir/bajar un cordón



Figura 7. Modo incorrecto de subir/bajar un cordón

I. SEGURIDAD

Ingreso de líquido



¡ADVERTENCIA! Si bien su scooter ha aprobado todos los requisitos de prueba para el ingreso de líquidos, debe mantener todas las conexiones eléctricas lejos de las fuentes de humedad, incluida la exposición directa al agua o a los fluidos corporales e incontinencia. Verifique frecuentemente los componentes eléctricos para comprobar que no haya signos de corrosión y sustitúyalos según sea necesario.

¡ADVERTENCIA! Nunca coloque su scooter debajo de una ducha, o dentro de una bañera, una piscina o un sauna. No opere su scooter sobre agua.

Escaleras y escaleras mecánicas

La scooter no está diseñada para subir ni bajar escaleras o escaleras mecánicas. Siempre use el ascensor.

¡ADVERTENCIA! Nunca use su scooter subir o bajar escaleras o escaleras mecánicas.



¡ADVERTENCIA! Tenga extrema precaución cuando sea necesario mover su scooter para subir y bajar escaleras. Le recomendamos que se utilicen dos personas para realizar esta tarea y que el asiento, la batería y los accesorios sean retirados antes de realizar el traslado del aparato. Aplique técnicas adecuadas para levantar la silla y tómelas sólo de las partes fijas y no desmontables para levantarla.

Ascensores

Los ascensores modernos tienen un mecanismo de seguridad en el borde de la puerta que, al pulsarlo, se vuelve a abrir la(s) puerta(s).

- Si usted está en la puerta de un ascensor y la(s) puerta(s) comienzan a cerrarse, toque el borde de goma de la puerta o permita que el borde de goma de la puerta tome contacto con el scooter para que ésta vuelva a abrirse.
- Tenga cuidado con los bolsillos, paquetes o accesorios del scooter no queden atrapados en las puertas del ascensor.

AVISO: Si el radio de giro de su scooter es mayor a 152 cm (60 pulgadas), podría ser difícil de maniobrar en ascensores y entradas a edificios. Tenga cuidado al intentar girar o maniobrar su scooter en espacios pequeños y evite las zonas que pudieran representar un problema.

Puertas

- Compruebe si la puerta se abre hacia o desde fuera.
- Conduzca su scooter con cuidado y avance lentamente para empujar y abrir la puerta, o conduzca su scooter con suavidad y poco a poco retroceda para tirar y abrir la puerta.

Vehículo de transporte motorizado desocupado

No permanezca sentado en su scooter mientras viaja en un vehículo motorizado. El scooter debe colocarse en el maletero de un coche o en la parte trasera de un camión o furgoneta, se deben extraer la asiento y/o asegurarlas correctamente. Además, todas las piezas extraíbles del scooter deben ser retiradas y/o asegurados correctamente durante el transporte en vehículo motorizado.



¡ADVERTENCIA! El usuario del scooter debe viajar en el asiento del automóvil y utilizar el sistemas de retención instalado en el vehículo, siempre y cuando sea posible. El usuario del scooter nunca debe estar en él mientras se encuentra en un vehículo en movimiento.



¡ADVERTENCIA! Asegúrese siempre de que su scooter y la asiento estén bien sujetas mientras se lo transporta. La batería no se deben transportar con ningún material inflamable o combustible.

Asientos



¡ADVERTENCIA! En caso de que los ajustes de su asiento se aflojen, informe el problema inmediatamente a su marchand autorizado.



¡ADVERTENCIA! No retire el almohadón del asiento que se provee junto con el scooter. No coloque almohadones adicionales, acolchados o almohadas en el almohadón del asiento. Esto podría provocar que usted quede en una posición inestable, y hacerlo caer de la scooter.

I. SEGURIDAD

Baterías y carga: Ion de Litio

Además de seguir las advertencias que se enumeran a continuación, asegúrese de cumplir siempre con toda la información de manejo de la batería que se suministra en la sección “Las baterías y su Carga” en este manual del propietario del scooter.

¡ADVERTENCIA! Las aerolíneas tienen pautas estrictas para el transporte de baterías de Lithium-Ion a bordo de aviones de pasajeros. Consulte con la aerolínea antes de viajar.

¡ADVERTENCIA! Solo use baterías autorizadas por su comerciante. Consulte las especificaciones proporcionadas con el scooter y en el manual suministrado con el cargador de batería para el tipo de batería recomendada y las capacidades. La única batería ofrecida ya está en un conjunto que no se puede abrir. Debe dirigirse a su comerciante autorizado.

¡ADVERTENCIA! Esta batería ha sido probada y cumple con la norma UN38.3 del Reglamento de Transporte de las Naciones Unidas.

¡ADVERTENCIA! Asegúrese siempre de que el cargador de batería de Lithium-Ion de Lithium-Ion suministrado con su scooter se utilice para recargar la batería. El uso de un cargador diferente o que no sea de litio puede reducir el rendimiento del scooter, incluido un alcance reducido por carga. El incumplimiento de esta advertencia puede ocasionar daños al producto, lesiones personales o la muerte.

¡ADVERTENCIA! Proteja siempre la batería para evitar que se congelen, y nunca cargue una batería congelada. La carga de una batería congelada puede causar daños a la batería.



¡ADVERTENCIA! Opere siempre el cargador en un área bien ventilada ya que es esencial para un enfriamiento adecuado. Asegúrese de que los orificios de ventilación estén libres de obstrucciones antes de usarlo y coloque siempre el cargador en una superficie dura y plana durante la carga. Antes de cada uso, asegúrese de que el cargador no esté cubierto por artículos como mantas o prendas de vestir. No coloque el cargador en áreas cerradas como morrales o bolsos. La falta de una ventilación adecuada puede ocasionar daños en el cargador.

¡ADVERTENCIA! Verifique la caja de la batería en busca de signos de daños. Si alguna batería o caja de batería parece dañada, contacte a su comerciante autorizado inmediatamente.

¡ADVERTENCIA! Tenga en cuenta que la carcasa del cargador de batería puede recalentarse durante la carga. Evite el contacto con la piel y no coloque el cargador en superficies que podrían verse afectadas por el calor, incluso alfombras o prendas de vestir.

¡ADVERTENCIA! Si el cargador de batería está equipado con ranuras de enfriamiento, entonces no intente insertar objetos a través de ellas y mantenga las ranuras de enfriamiento libres de obstrucciones.

¡ADVERTENCIA! No cargue a la luz solar directa o cerca de fuentes de calor.

¡ADVERTENCIA! Comuníquese con su comerciante autorizado si tiene alguna pregunta acerca de la batería de su scooter.

¡ADVERTENCIA! No abra la batería. No hay partes reparables en el interior.

I. SEGURIDAD

Piezas desmontables



¡ADVERTENCIA! No intente levantar o mover el scooter, o asiento sujetando o agarrando cualquiera de sus piezas extraíbles. Tome sólo componentes sólidos e inamovibles del chasis para levantar o mover el scooter o asiento.

Evite el movimiento involuntario



¡ADVERTENCIA! Si tiene previsto estar sentado en una posición fija durante un período prolongado de tiempo, desconecte el controlador y los conectores de la batería. Esto evitará el movimiento inesperado por contacto accidental con la palanca de control de aceleración. Esto también elimina la posibilidad de movimiento involuntario por fuentes electromagnéticas (EM).

Alcance y postura

Nunca estire la mano, se incline, o agache mientras conduce su scooter. Al inclinarse hacia adelante crea el riesgo de contacto accidental con la acelerador de giro. Inclinandose hacia un lado mientras se está sentado, crea el riesgo de vuelco. Si es absolutamente necesario alcanzar algo, inclinarse, o agacharse estando sentado en su scooter, es importante mantener estable el centro de gravedad y evitar que el scooter vuelque. Asegúrese de que las ruedas están apuntando en la posición de avance para crear la distancia más larga posible entre ejes. Recomendamos que el usuario del scooter determine su/su limitaciones personales y practique estiramientos o inclinaciones en presencia de un asistente calificado. Vea figuras 8 y 9.

¡ADVERTENCIA! No se agache, incline, o alcance objetos si tiene que recogerlos estirándose hacia abajo entre las rodillas, si usted tiene que inclinarse sobre cualquier lado del scooter, o si tiene que llegar al respaldo del asiento. Movimientos como éstos pueden cambiar su centro de gravedad y la distribución de peso del scooter. Esto puede causar que su scooter vuelque.



¡ADVERTENCIA! Mantenga las manos, la ropa y otros objetos alejados de los ruedas durante la conducción. No arrastre ningún tipo de pertenencias personales u objetos detrás del scooter mientras conduce. Tenga en cuenta que la ropa suelta u otros objetos pueden quedar atrapados en las ruedas y/o pueden enredarse en el chasis.



¡ADVERTENCIA! ¡Posible peligro de estrangulación! Tenga en cuenta que la ropa, los cordones, collares, joyas, carteras y otros accesorios que usted lleva mientras está sentado u operando el scooter podrían quedar atrapados alrededor de los reposabrazos o de acelerador de giro. Tenga cuidado para evitar este peligro potencial.

¡ADVERTENCIA! No permita que objetos o accesorios sobresalgan de su scooter cuando conduzca. Tenga presente que los objetos que sobresalgan pueden quedar enganchados con artículos que rodeen el camino de la scooter.

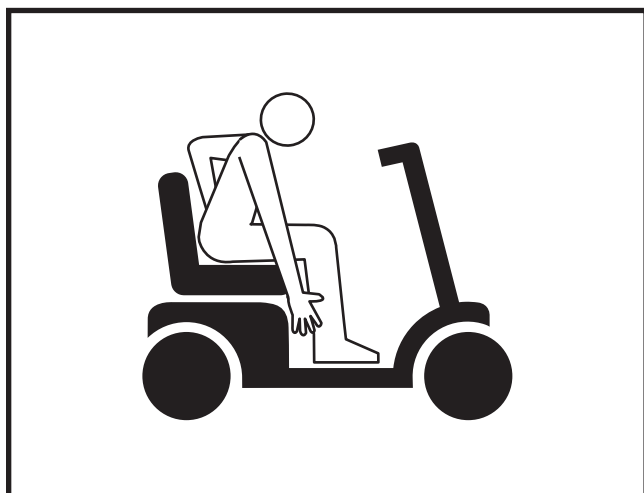


Figura 8. Modo correcto de acercarse y doblarse para alcanzar un objeto



Figura 9. Modo incorrecto de acercarse y doblarse para alcanzar un objeto

I. SEGURIDAD

Movimientos

Subirse y bajarse de su scooter requiere un buen sentido del equilibrio. Asegúrese de estar siempre acompañado de un asistente o profesional de la salud mientras aprende a movilizarse correctamente

Para eliminar la posibilidad de lesiones, se recomienda que usted realice las siguientes tareas antes de intentar un movimiento:

- Apague el botón de encendido en la caja de la batería.
- Asegúrese de que el freno de estacionamiento esté activado. Consulte “Su Scooter” en este manual.
- Asegúrese de que el asiento esté colocado firmemente en su lugar.

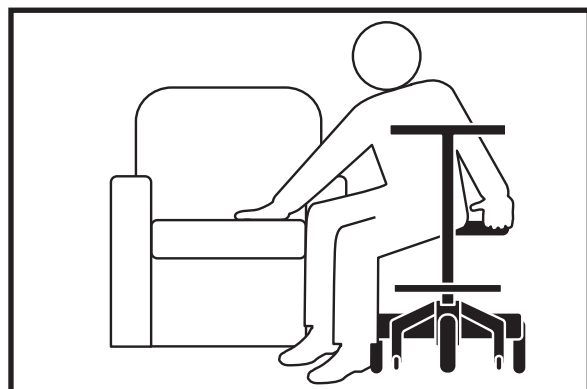


Figura 10. Posición recomendada para el traslado

¡ADVERTENCIA! Antes de movilizarse, accione el freno de mano.

¡ADVERTENCIA! Antes de moverse, colóquese lo más atrás posible en el asiento del scooter para evitar que se incline hacia delante durante la movilización.



¡ADVERTENCIA! Evite poner todo su peso sobrecaña del timón. Tal uso puede hacer que el scooter vuelque, lo que haría que usted se caiga del scooter y sufra lesiones físicas.

¡ADVERTENCIA! Evite poner todo su peso sobre las estriberas del scooter. Tal uso puede hacer que el scooter vuelque.

Limitaciones físicas

Los usuarios deben tener cuidado y sentido común al operar una scooter. Esto incluye el conocimiento de los problemas de seguridad que surgen debido a las limitaciones físicas particulares del usuario o asistente del scooter.



¡ADVERTENCIA! No opere su scooter si su capacidad para operar el scooter de manera segura se ve afectada de alguna manera. Los ejemplos incluyen, pero no se limitan a, la falta de conciencia del entorno o la falta de capacidad para pensar con claridad; problemas de visión o audición; o deterioro de la destreza de las extremidades superiores que limita la capacidad de usar los controles para dirigir. El funcionamiento de este scooter con problemas de cualquier manera puede dar lugar a una dirección errática, aceleración, frenado, inestabilidad, vuelco, desviación y/o colisión con personas u objetos. Cualquiera de estas circunstancias puede provocar lesiones personales graves o la muerte.

Drogas/Medicamentos

Los usuarios deben tener cuidado y sentido común al operar una scooter. Esto incluye el conocimiento de los problemas de seguridad que surgen cuando se toman drogas/medicamentos recetados o de venta libre.



¡ADVERTENCIA! Consulte con su médico si está tomando medicamentos/medicamentos recetados o de venta libre. Algunas drogas/medicamentos pueden afectar su capacidad para operar su scooter de manera segura. El funcionamiento de este scooter con problemas puede provocar una dirección errática, aceleración, frenado, inestabilidad, vuelco, desviación y/o colisión con personas u objetos. Cualquiera de estas circunstancias puede provocar lesiones personales graves o la muerte.

Alcohol y otros intoxicantes/fumar

Los usuarios deben tener cuidado y sentido común al operar una scooter. Esto incluye el conocimiento de los problemas de seguridad que surgen después del consumo de alcohol y otros productos tóxicos, incluida la marihuana y diversas formas de narcóticos.



¡ADVERTENCIA! No opere su scooter mientras esté bajo la influencia del alcohol u otros productos tóxicos, incluida la marihuana y otras formas de narcóticos, que pueden afectar su capacidad para operar su scooter de forma segura. El funcionamiento de este scooter con problemas puede provocar una dirección errática, aceleración, frenado, inestabilidad, vuelco, desviación y/o colisión con personas u objetos. Cualquiera de estas circunstancias puede provocar lesiones personales graves o la muerte.

I. SEGURIDAD

De fumar

Los usuarios deben tener cuidado y sentido común al operar una scooter. Esto incluye el conocimiento de los problemas de seguridad que surgen al fumar, lo que puede afectar su capacidad para operar su scooter de manera segura.



¡ADVERTENCIA! No opere su scooter mientras fuma. Fumar puede afectar su capacidad para operar su scooter de manera segura o provocar un incendio. Operar un scooter mientras se fuma puede distraer al usuario de operar el scooter de manera segura y puede interferir con el funcionamiento adecuado de los controles del scooter, lo que puede resultar en una dirección errática, aceleración, frenado, inestabilidad, vuelco, desvío y/o colisión con personas u objetos. Cualquiera de estas circunstancias puede provocar lesiones personales graves o la muerte. Fumar mientras se opera el scooter también puede ocasionar quemaduras físicas y/o daños en el scooter/propiedad y puede provocar un incendio que puede provocar lesiones personales graves o la muerte.

¡ADVERTENCIA! Le recomendamos enfáticamente que no fume mientras está sentado en su scooter a pesar de que el scooter ha pasado las pruebas requeridas para la exposición al consumo de cigarrillos. Usted debe seguir las siguientes pautas de seguridad si decide fumar mientras está sentado en su scooter.

- No deje cigarrillos encendidos sin vigilancia.
- Mantenga ceniceros a una distancia segura de los cojines del asiento.
- Asegúrese siempre de que los cigarrillos están completamente apagados antes de desecharlos.

Precauciones de Inflamabilidad

¡ADVERTENCIA! A pesar de que los plásticos y el asiento utilizados en su scooter han sido probados y cumplen las normas de inflamabilidad, se recomienda no exponer su scooter a las llamas.



¡ADVERTENCIA! Tenga mucho cuidado al utilizar oxígeno en las proximidades de los circuitos eléctricos y de materiales combustibles. Póngase en contacto con su comerciante de oxígeno para obtener información sobre su uso de manera segura.

¡ADVERTENCIA! Reemplace inmediatamente la tapicería desgastada o dañada para reducir el riesgo de incendio.

¡ADVERTENCIA! Tenga en cuenta que el lavado de artículos tapizados puede reducir la resistencia a la inflamabilidad de la tela.

Entornos peligrosos



¡ADVERTENCIA! Debido a la composición eléctrica de nuestros productos, no recomendamos el uso de nuestro scooters en la Clase I División I de entornos industriales o comerciales donde el área de trabajo puede tener una composición de aire combustible. En tal entorno, el scooter puede convertirse en una fuente de ignición de un incendio o de una explosión.

I. SEGURIDAD

Deportes y atletismo

El usuario del scooter debe ejercer el cuidado y el sentido común cuando utilice su scooter. Esto incluye el conocimiento de las cuestiones de seguridad al participar en deportes y atletismo. Todas las actividades deportivas conllevan riesgo de lesiones. Le recomendamos que su scooter esté equipado con un cinturón de posicionamiento y que utilice equipamiento deportivo de seguridad como ser cascos y almohadillas si decide participar en actividades deportivas.

Además, es su responsabilidad informar a su comerciante autorizado si usted va a participar en deportes y atletismo. Su scooter puede no estar configurado correctamente para las actividades deportivas en términos de configuración de asientos y del programa de control. Si usted participa en actividades deportivas de todo tipo, asegúrese de que su comerciante autorizado haya realizado un seguimiento de uso de su scooter en esta actividad. Esto ayudará a su comerciante a configurar el scooter para adaptarse a sus necesidades específicas de seguridad y comodidad. Una vez que se hayan realizado todos los ajustes, su comerciante deberá observar una vez más el uso del scooter en esta actividad para asegurarse de que usted se sienta cómodo con la nueva configuración.



¡ADVERTENCIA! La participación en los deportes y el atletismo se realiza a riesgo del usuario. El usuario del scooter es responsable de utilizar el equipo de seguridad adecuado y de asegurarse de que su comerciante autorizado haya configurado correctamente el scooter para tal uso. No seremos responsables de los daños personales y/o de los daños ocasionados al producto resultantes del uso del scooter en cualquier actividad relacionada con el deporte.

Interferencias electromagnéticas y de radiofrecuencia (EMI/RFI)



¡ADVERTENCIA! Las pruebas de laboratorio han demostrado que las ondas electromagnéticas y de radiofrecuencia pueden tener un efecto adverso sobre el rendimiento de los vehículos accionados eléctricamente.

Las interferencias electromagnéticas y de radiofrecuencia pueden provenir de fuentes tales como teléfonos celulares, radios móviles de dos vías (como los walkie-talkies), estaciones de radio, canales de televisión, emisoras de radioaficionados (HAM), equipo de enlaces inalámbricos, señales de microondas, transmisores de mensajes, y transeptores móviles de mediano alcance utilizados por vehículos de emergencia. En algunos casos, estas ondas pueden causar movimiento involuntario o daños en el sistema de control. Cada vehículo eléctrico móvil viene equipado con una inmunidad (o resistencia) a las interferencias electromagnéticas (EMI). Cuanto mayor sea el nivel de inmunidad, mayor será la protección contra las interferencias electromagnéticas (EMI). Este producto ha sido probado y fue aprobado con un nivel de inmunidad de 3 V/m.



¡ADVERTENCIA! Tenga en cuenta que los teléfonos celulares, las radios de dos vías, los ordenadores portátiles, los generadores eléctricos o las fuentes de alta potencia, y otros tipos de transmisores de radio puede causar movimientos involuntarios de su vehículo eléctrico alimentado por las interferencias electromagnéticas (EMI). No encienda los dispositivos portátiles de comunicación personal, como radios de banda ciudadana (CB) y teléfonos móviles, mientras el scooter está encendido. Infórmese sobre los transmisores cercanos, como radios y canales de televisión, y evite circular en sus proximidades.



¡ADVERTENCIA! La adición de accesorios o componentes en el vehículo eléctrico puede aumentar su susceptibilidad a las interferencias electromagnéticas (EMI). No modifique su scooter de cualquier forma no autorizada por el fabricante.

¡ADVERTENCIA! El vehículo eléctrico alimentado puede perturbar - por sí mismo - el funcionamiento de otros dispositivos eléctricos situados en las cercanías, como los sistemas de alarma.

AVISO: Para más información sobre interferencias electromagnéticas y de radiofrecuencia (EMI/RFI), póngase en contacto con su comerciante autorizado. Si ocurre el movimiento involuntario, apague el scooter tan pronto como sea seguro hacerlo. Comuníquese con su comerciante autorizado para reportar el incidente.

I. SEGURIDAD

Sección de preguntas y respuestas acerca de la Proposición 65

¿Qué es la Proposición 65?

La Proposición 65 exige que las empresas provean advertencias a los residentes de California acerca de las exposiciones significativas a sustancias químicas que provocan cáncer, defectos congénitos u otros daños reproductivos. Estas sustancias químicas pueden estar presentes en los productos que compran los californianos, en sus hogares o lugares de trabajo, o son liberadas al medio ambiente. Al exigir la provisión de esta información, la Proposición 65 permite que los californianos tomen decisiones informadas sobre sus exposiciones a estas sustancias químicas.

Además, la Proposición 65 prohíbe que las empresas de California descarguen deliberadamente grandes cantidades de las sustancias químicas indicadas hacia fuentes de agua potable. La Proposición 65 exige que California publique una lista de sustancias químicas que se sabe que provocan cáncer, defectos congénitos u otros daños reproductivos. Esta lista, que debe ser actualizada una vez al año como mínimo, se ha ampliado desde su primera publicación en 1987 para llegar a incluir aproximadamente 900 sustancias químicas.

¿Qué tipos de sustancias químicas están incluidas en la lista de la Proposición 65?

La lista contiene una amplia variedad de sustancias químicas sintéticas y presentes de manera natural, que incluyen aditivos o ingredientes en pesticidas, productos comunes para el hogar, alimentos, medicamentos, tintes o solventes. Las sustancias químicas incluidas en la lista también pueden ser usadas en la manufactura y la construcción, o pueden ser subproductos de procesos químicos, como por ejemplo los escapes de los vehículos a motor.

¿Qué significa la advertencia?

Si se coloca una advertencia en la etiqueta de un producto o se publica o distribuye en un lugar de trabajo, una empresa o en una vivienda de alquiler, la empresa que publica la advertencia sabe o cree que está exponiendo a las personas a una o más de las sustancias químicas de la lista. Por ley, se debe proveer una advertencia sobre las sustancias químicas indicadas, a menos que la exposición sea lo suficientemente baja como para que no represente un riesgo de cáncer importante o se encuentre significativamente por debajo de los niveles que, según se ha observado, causan defectos congénitos u otros daños reproductivos.

¿Dónde puedo obtener más información sobre la Proposición 65?

Si tiene preguntas específicas sobre la administración o implementación de la Proposición 65, puede comunicarse con el programa de la Proposición 65 de la OEHHA a P65.Questions@oehha.ca.gov, o por teléfono al número (916) 445-6900.

AVISO DE SEGURIDAD DEL USUARIO

Su seguridad es importante para nosotros. Si hay alguna información en este manual que usted no entiende, o si necesita ayuda adicional para la instalación o uso, por favor póngase en contacto con su comerciante autorizado. **Si no se siguen las instrucciones, advertencias y notas de este manual y aquellas indicadas en el producto podría resultar en lesiones físicas, o causar daños en el producto, lo cual anulará la garantía.**

II. SU SCOOTER

CONSOLA DEL MANILLAR

La consola del timón contiene todos los controles necesarios para conducir su scooter, incluido el indicador del nivel de batería, la pantalla del timón y el acelerador giratorio. (fig. 11).



¡PROHIBIDO! No deje que la consola se humedezca. Si la consola estuviera humedecida, espere hasta que se seque completamente antes de manejar el scooter.

CLAVES DE IDENTIFICACIÓN

- | | |
|-------------------------------|------------------------------------|
| 1. Palanca de Freno de Mano | 6. Pantalla LCD |
| 2. Pantalla de Timón | 7. Botón de reducción de velocidad |
| 3. Botón de Aceleración | 8. Acelerador de giro |
| 4. Botón de Selección de Modo | 9. Pin de freno de estacionamiento |
| 5. Empuñadura | |

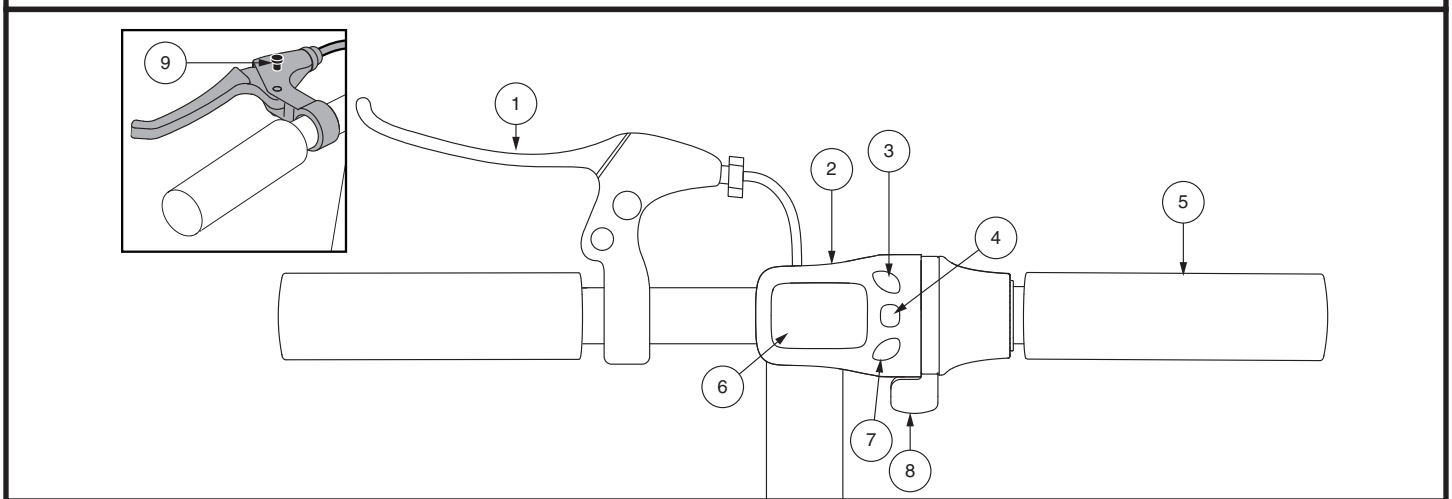


Figura 11. Consola del manillar

Botón de encendido

- Presione el botón de encendido de la batería para encender su scooter. El botón de encendido también actúa como el disyuntor principal (fig. 12).

Acelerador de giro

El acelerador de giro le permite controlar la velocidad de avance de su scooter.

- Coloque su mano derecha en el mango derecho y su mano izquierda en el mango izquierdo.
- Use su pulgar derecho para presionar el control del acelerador hacia abajo para controlar la velocidad del movimiento hacia adelante.
- Para frenar su scooter, aplique el freno de mano.
- Cuando se suelta el acelerador de giro, vuelve automáticamente a la posición de “parada”.

Botón de selección de modo

Le permite alternar entre los modos e iluminar la pantalla LCD.

- Mantenga presionada la parte superior del botón de selección de modo durante dos segundos para iluminar la pantalla LCD.
- Presione la parte inferior del botón de selección de modo para alternar entre los modos disponibles. Desde el modo de perfil de unidad, presione + o - para recorrer los perfiles de unidad disponibles.

Tomo de Alimentación del Cargador

El extremo de 2 contactos del cable del cargador se enchufa en esta toma (fig. 13).

II. SU SCOOTER

Indicador del Nivel de Batería

Cuando se presiona el botón de encendido para encender su scooter, este indicador muestra el nivel aproximado de la batería. Para obtener más información sobre el indicador de batería, consulte III, “Baterías y su carga”.

Conjunto de tren motriz

El conjunto de tren motriz constituye una unidad electromecánica que convierte la energía eléctrica de la batería del scooter en energía mecánica controlada que impulsa las ruedas del scooter.

Ruedas antivuelco

Las ruedas antivuelco son parte integrante de la seguridad de su scooter. Están atornilladas a la estructura en la parte posterior del scooter.



¡PROHIBIDO! Salvo autorización de su comerciante, no retire las ruedas antivuelco ni modifique de ninguna forma su scooter.



¡ADVERTENCIA! Las ruedas antivuelco podrían entorpecer la fluidez normal del scooter al subir o bajar una acera. Para obtener más información, consulte con su comerciante autorizado.

Paquete de batería

Su scooter está equipado con un innovador fácil de quitar paquete de baterías de Lithium-Ion. Consulte III. “Baterías y carga ”para obtener instrucciones de reemplazo de la batería (fig. 12 y 13).

Botón Disyuntor (Reinicio)

The power button also acts as the main circuit breaker. When the voltage in your scooter’s batteries becomes low or the scooter is heavily strained because of excessive loads or steep inclines, the main circuit breaker may trip to protect the motor and electronics from damage (fig. 12).

- El botón de reinicio salta cuando el disyuntor se activa.
- Así, al activarse el disyuntor, todo el sistema eléctrico del scooter se apaga.
- Deje “descansar” los componentes electrónicos de su scooter durante un minuto o dos.
- Apriete el botón de reinicio para restablecer el disyuntor principal.
- Si el disyuntor principal se activa con frecuencia, puede que tenga que cargar la batería más a menudo. Puede que necesite pedirle a su comerciante autorizado que realice una prueba de carga de la batería del scooter.
- Si el disyuntor principal interrumpe la corriente regularmente, consulte a su comerciante autorizado.

CLAVES DE IDENTIFICACIÓN

1. Botón de encendido/ Botón Disyuntor
2. Correa de la batería
3. Paquete de baterías
4. Conector de batería

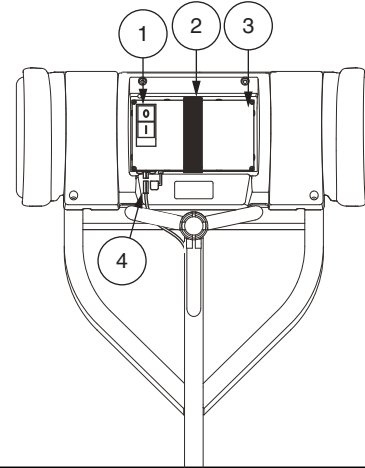


Figura 12. Paquete de baterías

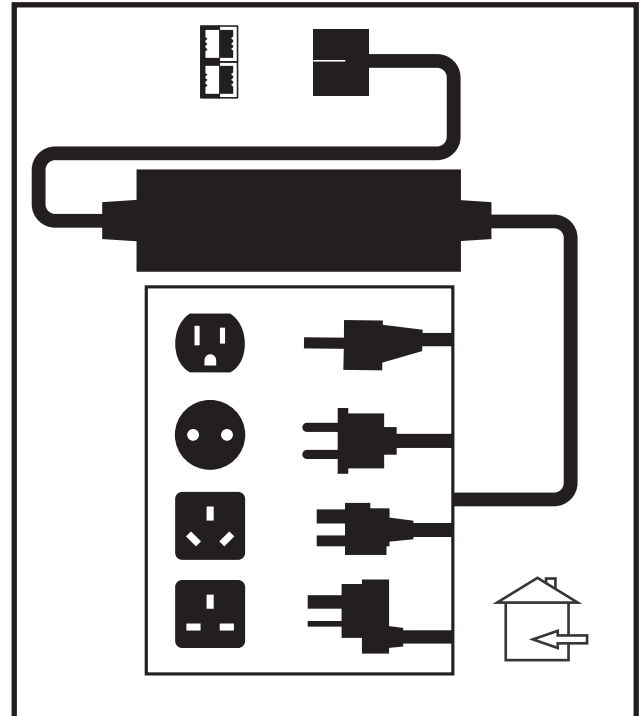


Figura 13. Cargador de Batería Externo

II. SU SCOOTER

Cargador de Batería Externo

Para cargar la batería del scooter, conecte el cargador de batería externo a la toma del cable del cargador y a una toma de corriente estándar (fig. 13).

FRENADO

Palanca de freno de mano

Accione palanca de freno de mano para reducir la velocidad o detener su scooter (fig. 15).

Freno suplementario

Su scooter está equipado con un sistema secundario de frenado suplementario ubicado cerca de la rueda delantera (fig. 14).

Para aplicar el sistema de frenado suplementario:

1. Suelte el acelerador de agarre giratorio.
2. Regrese la cultivadora a la posición central.
3. Aplique suavemente el freno suplementario.

NOTA: El freno suplementario está destinado a ocasionales usar solo y no está destinado a ser utilizado como primario sistema de frenado

Freno para estacionamiento

Su scooter está equipado con un freno de estacionamiento, que puede bloquearse para evitar movimientos una vez que su scooter tenga detenerse por completo (fig. 15).

Para aplicar el freno de estacionamiento:

1. Accione la palanca del freno de mano.
2. Participar plenamente el pasador del freno de estacionamiento.
3. Suelte la palanca del freno de mano.
4. Para liberar el freno de estacionamiento, apriete completamente el freno de mano.

¡ADVERTENCIA! El freno suplementario no debe usarse como el sistema de freno primario para detener su scooter. El freno suplementario solo debe usarse como freno secundario. El uso incorrecto de los sistemas de frenado puede provocar lesiones personales o daños a la propiedad.



¡ADVERTENCIA! No modifique la palanca del freno de mano de ninguna manera. Si se producen daños, comuníquese con su distribuidor autorizado para reemplazar el freno de mano.

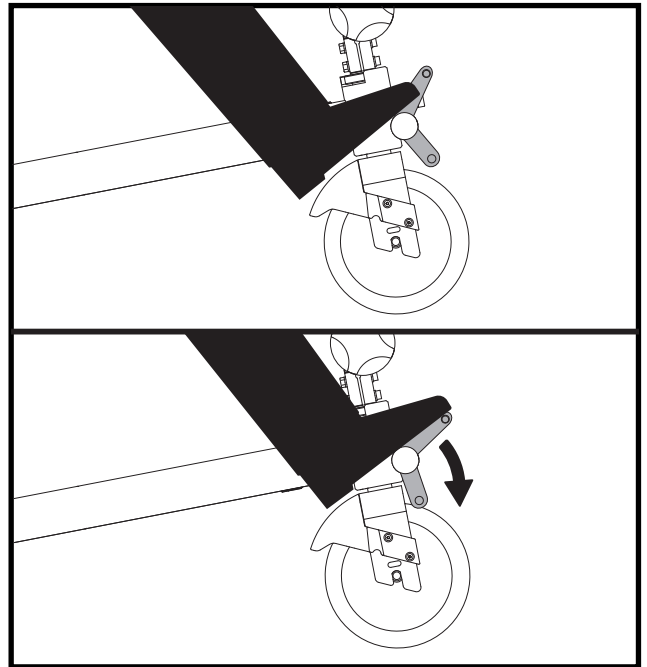


Figura 14. Freno suplementario

CLAVES DE IDENTIFICACIÓN

1. Palanca de Freno de Mano
2. Pin de freno de estacionamiento

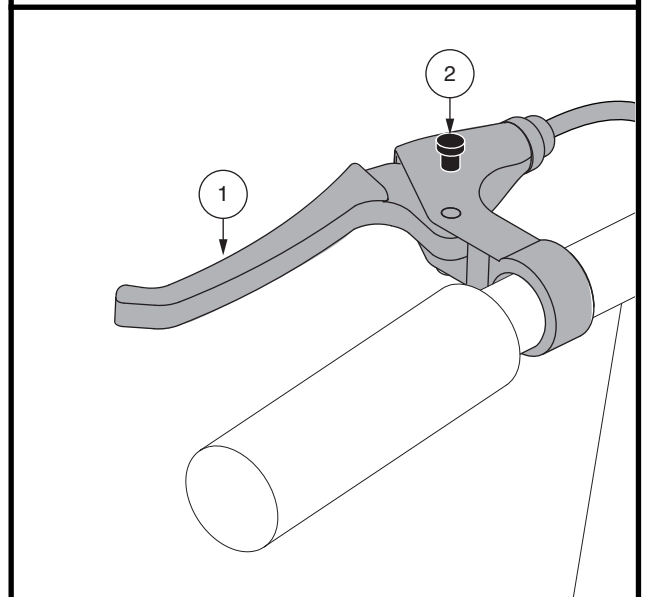


Figura 15. Palanca de freno de mano y bloqueo de freno (en la posición de bloqueo)

III. BATERÍAS Y SU CARGA

BATTERIES ET RECHARGE

Su scooter requiere una batería de Lithium-Ion de 36 voltios de larga duración, sellada y sin mantenimiento.

- Cargue la batería de su scooter de por lo menos 8 a 14 horas antes de usarlas por primera vez.
- Para que el scooter funcione perfectamente, mantenga la batería totalmente cargadas.

LECTURA DEL VOLTAJE DE LA BATERÍA

El medidor de estado de la batería en la consola del acelerador indica la fuerza aproximada de su batería usando un icono de batería. Con carga completa, el icono mostrará cinco (5) barras que indican una batería completamente cargada. Con el uso continuo, las barras comenzarán a desaparecer a medida que se agote la carga. Una vez que el ícono muestra una sola barra, es necesaria una recarga inmediata (fig. 16). Para obtener la mayor precisión, compruebe el indicador de baterías conduciendo el scooter a velocidad máxima, sobre una superficie plana y seca.

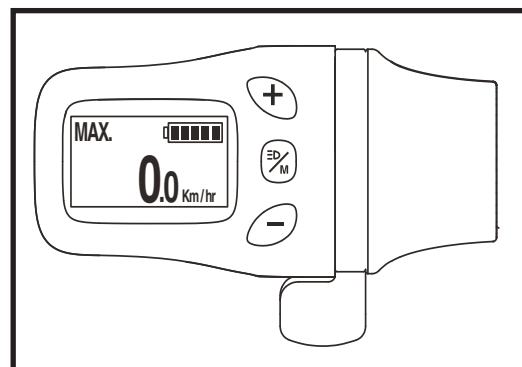


Figura 16. Medidor de estado de la batería

CHARGING YOUR BATTERIES



¡PROHIBIDO! No conecte cables de prolongación al cable del cargador de batería, ya que podría provocar un riesgo eléctrico.



¡PROHIBIDO! Mientras la batería se cargan, no deje que los niños jueguen cerca del scooter sin supervisión. Le recomendamos no cargar la batería mientras la scooter esté ocupada.



¡OBLIGATORIO! Antes de cargar la batería, lea las instrucciones de carga en este manual y en el manual suministrado con el cargador de batería.



¡ADVERTENCIA! Durante el cargado de baterías se pueden generar gases explosivos. Mantenga su scooter y el cargador alejados de fuentes ignífugas como llamas o chispas, y proporcione una ventilación adecuada durante el cargado de baterías.

¡ADVERTENCIA! Utilice el cargador externo suministrado para recargar la batería de su scooter. No utilice los cargadores utilizados en los automóviles.

¡ADVERTENCIA! Antes de cada uso, compruebe el estado de cargador, cables y conectores. Contacte con su comerciante autorizado si encontrara algún daño.



¡ADVERTENCIA! No intente abrir la carcasa del cargador de batería. Si el cargador no funcionara correctamente, contacte con su comerciante autorizado.

¡ADVERTENCIA! Si el cargador de batería externo viene equipado con ranuras de ventilación, no obstruya el paso de dichas ranuras.

¡ADVERTENCIA! Tenga en cuenta que la carcasa del cargador puede acabar recalentándose durante el cargado. Evite todo contacto con la piel y no deje el cargador sobre superficies a las que pueda afectar el calor.



¡ADVERTENCIA! Su cargador de batería no ha sido probado y aprobado para uso en exteriores. No lo exponga a condiciones climáticas adversas o extremas. Si hubiera sido expuesto a condiciones ambientales extremas o adversas, deberá dejarlo adaptarse a las nuevas condiciones en interiores antes de volver a utilizarlo. Para más información, consulte el manual suministrado con su cargador de batería. Su scooter solo debe cargarse en un área donde la temperatura ambiente esté entre 0°C/32°F y 45°C/113°F.

III. BATERÍAS Y SU CARGA

Para cargar la batería de forma segura con el cargador externo:

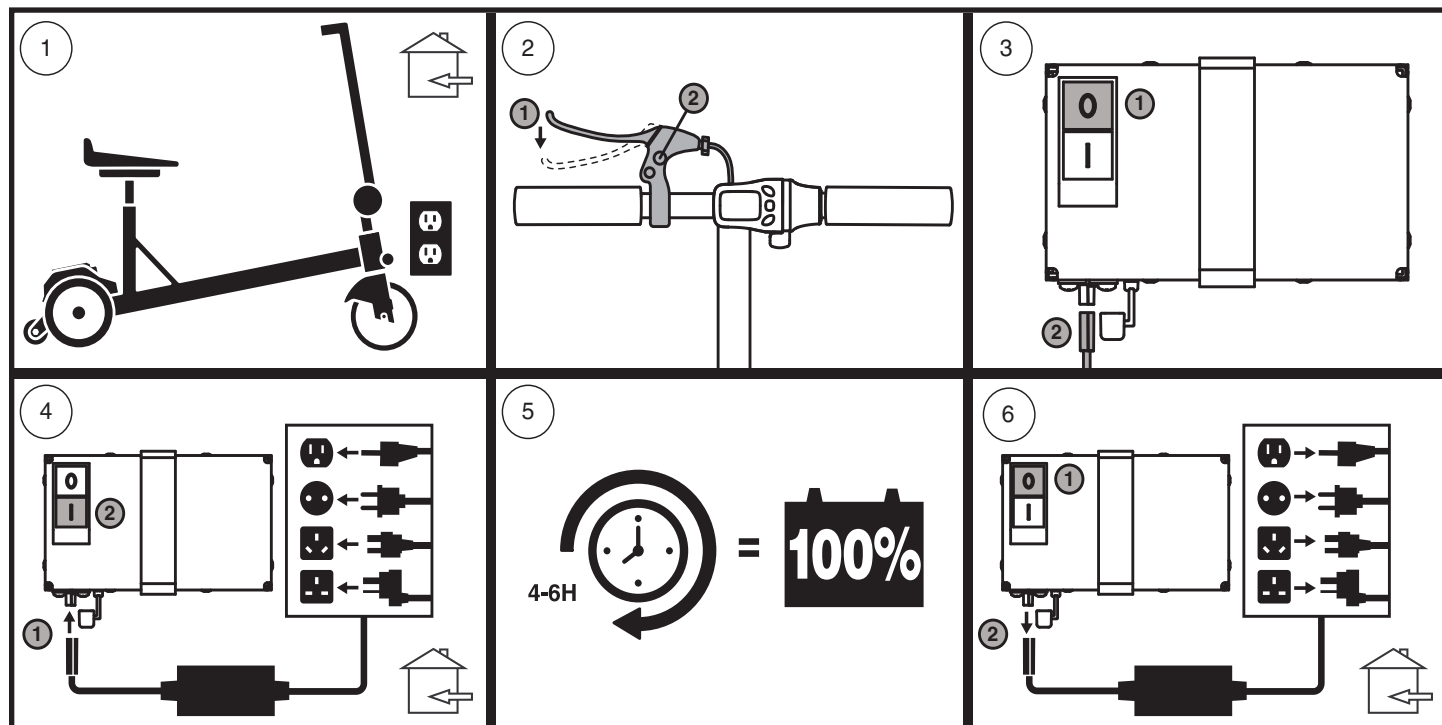


Figura 17. Diagrama del procedimiento de carga de la batería



¡ADVERTENCIA! Los indicadores LED en el cargador indican los diferentes estados de carga en cada momento. Si al cabo de 24 horas, el LED sigue sin indicar una carga completa, desenchufe el cargador de la toma de corriente y póngase en contacto con su comerciante. Para saber más sobre estos indicadores, consulte la etiqueta del cargador.

PREGUNTAS MÁS FRECUENTES (P+F)

¿Cómo funciona el cargador?

Cuando el nivel de voltaje de la batería es bajo, el cargador trabaja más duro, enviando más corriente eléctrica a la batería para llenarla. Cuando están casi totalmente cargadas, el cargador envía cada vez menos corriente eléctrica. Una vez cargadas completamente, la corriente enviada por el cargador baja hasta un amperaje cercano al cero. Por ello, cuando el cargador está enchufado, mantiene el nivel de carga de la batería de su scooter, pero sin sobrecargarla. Para las instrucciones sobre el cargado de baterías, consulte el manual suministrado con el cargador.

¿Puedo utilizar otro tipo de cargador?

Los cargadores varían en función de los usos, y están específicamente adaptados al tipo, tamaño y formulación química de unas determinadas baterías. Para conseguir un cargado más eficiente y seguro de la batería de su scooter, utilice únicamente el cargador suministrado con el equipo original de su producto.

¿Por qué no consigo cargar la batería de mi scooter?

- Compruebe que el disyuntor del paquete de baterías esté en buenas condiciones
- Compruebe que ambos extremos del cable de alimentación del cargador estén bien conectados.

III. BATERÍAS Y SU CARGA

¿Con qué frecuencia debo recargar la batería?

Para determinar con qué frecuencia debe cargar la batería, tenga en cuenta estos dos factores principales:

- Si utiliza el vehículo su silla eléctrica a diario, recargue la batería al finalizar el día. Así, estará listo a la mañana siguiente. Si lo utiliza diariamente, le recomendamos que deje cargando la batería de por lo menos 4 a 6 horas cada día. Recomendamos dejar cargando la batería durante 4 horas más después de que el indicador muestre que la carga ha sido completada.
- Si utiliza la silla eléctrica de manera esporádica (una vez a la semana o menos) cárguelas al menos una vez a la semana durante por lo menos 4 a 6 horas.

NOTA: *Mantenga siempre la batería cargadas y no deje que se descarguen completamente. Para las instrucciones sobre el cargado de baterías, consulte el manual suministrado con el cargador.*

¿Cómo puedo lograr la máxima vida para mis baterías?

Una batería de alto rendimiento completamente cargada es garantía de larga vida y alto rendimiento. Siempre que sea posible, mantenga la batería completamente cargadas

NOTA: *La vida útil de una batería suele estar relacionada con los cuidados de mantenimiento.*

¿Qué tipo de baterías debo utilizar?

Utilice únicamente la batería suministrada por Fabricación/ comerciante autorizado.

III. BATERÍAS Y SU CARGA

NOTA: La batería selladas no requieren mantenimiento. No levante las tapas.

Utilización del transporte público?

Su batería de Lithium-Ion iRIDE ha sido probada, cumple con la norma UN38.3 del Reglamento de Transporte de las Naciones Unidas y cumple con 49 CFR 175.10 (a) (17).

NOTA: Las políticas y regulaciones de las aerolíneas pueden variar. Consulte con la aerolínea individual antes de viajar.

¿Cómo se cambian la batería de mi scooter?



¡OBLIGATORIO! Todas las baterías iRIDE deben estar compradas a un distribuidor autorizado. Los la batería no debe abrirse.

¡ADVERTENCIA! Si tiene alguna duda acerca de la batería de su scooter, no dude en contactar con su comerciante autorizado.



¡ADVERTENCIA! No manipule la batería con el asiento ocupado.

¡ADVERTENCIA! No tire de los cables del arnés eléctrico directamente para separarlos del scooter. Sujete siempre el conector al desconectar el arnés para evitar daños en el cable.

Para cambiar la batería, vea la figura 18:

1. Asegúrese de que el botón de encendido de la batería esté apagado.
2. Desconecte los cables negro y rojo que van directamente a la batería.
3. Desabroche la correa de la batería.
4. Retire la batería vieja del scooter.
5. Instale la nueva batería en el scooter.
6. Abroche la correa de la batería.
7. Conecte los cables negro y rojo de la nueva batería al scooter.

NOTA: Póngase en contacto con su agencia local de eliminación de residuos o con un distribuidor autorizado para obtener información sobre la eliminación adecuada de la batería.

CLAVES DE IDENTIFICACIÓN

1. Botón de encendido/ Botón Disyuntor
2. Correa de la batería
3. Paquete de baterías
4. Conector de batería

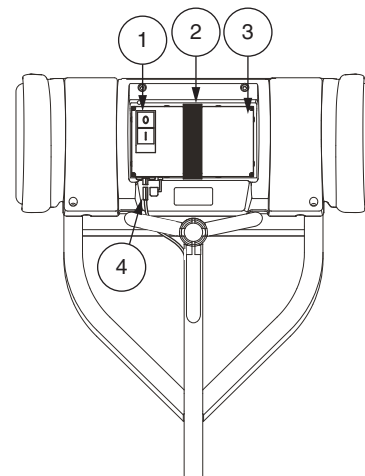


Figura 18. Reemplazo del paquete de baterías

IV. FUNCIONAMIENTO

INSPECCIÓN DE SEGURIDAD PREVIA

Familiarícese con su scooter y sus funciones. Recomendamos que realice una inspección previa de seguridad para confirmar que su scooter funciona de manera correcta y segura.

Antes de utilizar el scooter, inspeccione lo siguiente:

- Verifique el estado de las ruedas. Asegúrese de que no estén dañadas ni demasiado gastadas.
- Compruebe todas las conexiones eléctricas. Asegúrese de que estén tensas y sin corrosión.
- Compruebe todas las conexiones del regulador al panel eléctrico. Asegúrese de que estén bien tensadas.
- Compruebe los frenos y asegúrese de que funcionen correctamente.
- Compruebe el indicador de nivel de batería para asegurarse de que la batería estén totalmente cargadas.
- Compruebe que Asegúrese de que el freno de estacionamiento esté activado antes de sentarse en el Scooter.

AJUSTES Y CONTROLES PREVIOS

- ¿Está el asiento bien sujeto en su sitio?
- ¿El camino por el que va a circular está libre de gente, animales y obstáculos?
- ¿Ha planeado su itinerario para evitar superficies irregulares y todas las pendientes que pueda?

NOTA: *Tenga cuidado al operar su scooter en superficies delicadas ya que pueden producirse rasguños y/o marcas.*

ANTES DE MONTAR EN EL SCOOTER

- Ha cargado la batería completamente? Capítulo III, “Baterías y su carga”.
- Compruebe que el perilla de liberación del timón esté bloqueado. Consulte el capítulo VI, “Desmontaje/montaje”.
- Asegúrese de que el freno de estacionamiento esté activado.
- Asegúrese de que la temperatura del aire esté entre -20°C/-4°F a 60°C/140°F.
- Asegúrese de que el botón de encendido esté en la posición “OFF” (fig. 12).

AL MONTAR EN EL SCOOTER

1. Colóquese a un lado del scooter.



¡ADVERTENCIA! Nunca intente subir o bajar de su scooter con el scooter “ON”. Asegúrese de que el freno de estacionamiento esté activado antes de sentarse en el scooter.

2. Compruebe que el asiento esté firme y no se mueva.
3. Siéntese con cuidado y póngase cómodo en el asiento.
4. Encienda el botón de encendido.
5. Asegúrese de que sus pies estén a salvo en los reposapiés.

IV. FUNCIONAMIENTO

MANEJO DEL SCOOTER

¡ADVERTENCIA! Lo siguiente podría afectar negativamente a la dirección y estabilidad mientras conduce su Scooter:



- **Sujetar o llevar atada una correa para pasear a su mascota.**
- **Llevar pasajeros (incluidas mascotas).**
- **Colgar cualquier artículo del manillar.**
- **Remolcar o ser remolcado por otro vehículo motorizado.**

¡ADVERTENCIA! Mantenga siempre ambas manos en el manillar y sus pies en el piso del vehículo mientras maneje el Scooter. Esta posición de conducción le garantiza el mayor control sobre su vehículo

- Presione el botón de encendido (fig. 12).
- Tire del lado apropiado de las empuñaduras del manillar. A la derecha, si quieres ir a la derecha, a la izquierda, si quieres ir a la izquierda.
- Comience siempre en el ajuste de velocidad más bajo. Presione el botón de disminuir velocidad en la consola del timón (fig. 11).
- Gire el acelerador de giro hacia usted para avanzar.
- Para ir en línea recta, muévete a la posición central.
- Para detenerse, suelte el acelerador giratorio y active el freno de mano.

PARA BAJAR DEL SCOOTER

1. Detenga completamente el Scooter.



¡ADVERTENCIA! Nunca intente subir o bajar de su scooter sin antes quitar la llave de la cerradura de contacto. Así, evitará que el scooter se mueva si accidentalmente acciona la acelerador de giro.

2. Presione el botón “OFF” en la paquete de baterías.
3. Ponga el freno de estacionamiento enganchando la palanca del freno de mano y enganche el pasador de bloqueo.
4. Con cuidado, bájese del asiento y colóquese a un lado del Scooter.

V. OPTIMIZAR EL CONFORT

AJUSTE DE LA ALTURA DEL ASIENTO

El asiento puede ser reposicionado a diferentes alturas (fig. 19).

1. Afloje la palanca de la leva.
2. Retire el pasador de chaveta del pasador de horquilla girándolo y retírelo del orificio en el extremo del pasador de horquilla.
3. Retire el pasador de horquilla del poste del asiento.
4. Eleve o baje el asiento y su poste adjunto a la altura deseada.
5. Mientras sostiene el asiento a la altura deseada, alinee los orificios de ajuste del asiento con la ranura inferior del poste del asiento.
6. Inserte completamente el pasador de horquilla.
7. Inserte el extremo abierto del pasador de corbatín en el orificio al final del pasador de horquilla y gírelo hasta que la sección redondeada esté alrededor del pasador de horquilla.
8. Apriete la palanca de la leva.

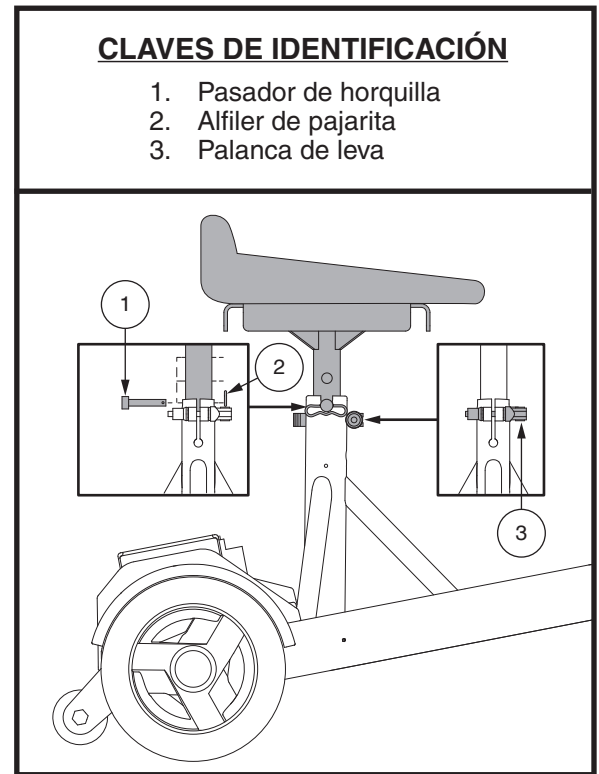


Figura 19. Altura del asiento

VI. DESMONTAJE/MONTAJE

DESMONTAJE

Para su comodidad, el iRIDE se puede desarmar para su almacenamiento y transporte.



¡ADVERTENCIA! No levante pesos encima de sus capacidades físicas. En caso necesario, pida ayuda para montar o desmontar su scooter.

ALIMENTACIÓN DE LA BATERÍA

Asegúrese de que la batería esté apagada (fig. 12).

DESMONTAJE DE ASIENTO

1. Afloje la palanca de leva.
2. Retire el asiento levantándolo en línea recta y sacándolo del scooter.

LANZAMIENTO DE TIMÓN

Para liberar el timón, afloje la Perilla de liberación del timón hasta que el timón se afloje y se pliegue lentamente hacia abajo (fig. 20). Si encuentra resistencia al doblar el timón hacia abajo, sujete firmemente el centro del timón y aplique una ligera presión sobre el timón mientras lo empuja hacia abajo.

NOTA: Para bajar completamente el timón, primero debe quitar el asiento.

Para asegurar el timón en posición vertical, sostenga el timón totalmente vertical mientras aprieta el botón de liberación del timón.

REEMPLAZO DE ASIENTO

1. Mientras sostiene el asiento, alinee los orificios de ajuste en el asiento y el poste del asiento inferior e insertar mensaje (fig. 19).
2. Inserte el pasador de retención en el poste del asiento inferior.
3. Apriete la palanca de leva.

RETIRO DE LA BATERÍA

1. Asegúrese de que la batería esté apagada.
2. Desenchufe el arnés del controlador de la batería.
3. Retire la correa de la batería, levántela y retire la batería.

PLEGABLE PARA TRÁNSITO

1. Afloje la perilla de liberación de la barra timón hasta que se afloje y se doble lentamente.
2. Apriete la perilla de liberación del timón.
3. Envuelva la correa de la barra timón firmemente alrededor de la viga principal utilizando el sujetador de gancho y bucle reutilizable para asegurar las correas (fig. 21).

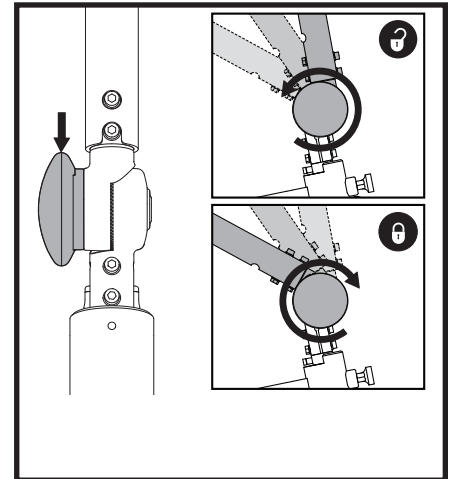


Figure 20. Perilla de liberación del timón

CLAVES DE IDENTIFICACIÓN

1. Correa de caña
2. Correa de la batería

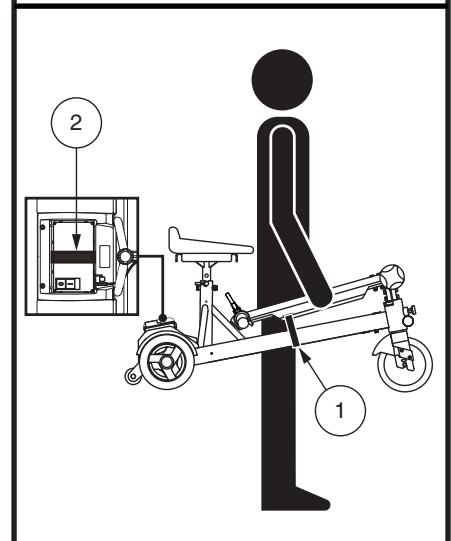


Figura 21. Plegable para transporte

VII. RESOLUCIÓN DE PROBLEMAS

Mi Scooter no se enciende ni funciona

- Asegúrese de que el botón de encendido esté en “ON.”
- Compruebe que la batería estén completamente cargadas.
- Asegúrese de que la batería esté conectada firmemente y correctamente.
- Asegúrese de que el paquete de baterías esté colocado correctamente.

No consigo cargar mis nuevas baterías

- Compruebe que ambos extremos del cable del cargador estén bien conectados.
- Si sigue sin poder cargarlas, póngase en contacto con su comerciante autorizado.
- Asegúrese de que el botón de encendido de la batería esté en “ON.”

¿Qué hacer si el disyuntor principal salta repetidamente?

- Si el disyuntor principal interrumpe la corriente a menudo, consulte a su comerciante autorizado.
- Cargue la batería del scooter con más frecuencia. Ver III. “Baterías y carga”.
- Consulte el capítulo III, “Baterías y su carga” o “Hoja de características del producto” para conocer el tipo de baterías de su scooter.

VIII. CUIDADO Y MANTENIMIENTO

Su scooter necesita un cuidado y un mantenimiento mínimos. Si no se siente competente para proporcionar a su scooter los cuidados citados a continuación, pida cita a su comerciante autorizado para que realice un chequeo de inspección y mantenimiento. Deberá realizar revisiones y/o controles periódicos en las siguientes zonas.

LOS NEUMÁTICOS

Inspeccione regularmente el desgaste en las ruedas de su scooter.

CAMBIO DE RUEDAS

Su scooter está equipado con ruedas macizas. En caso de daño o desgaste excesivo en una rueda, deberá cambiar la rueda entera. Consulte a su comerciante autorizado para obtener más información sobre el cambio de ruedas para su scooter.



¡ADVERTENCIA! Las ruedas del scooter únicamente podrán ser mantenidas o reemplazadas por un comerciante autorizado o un técnico cualificado.

ADVERTENCIA! Asegúrese de que el scooter esté “APAGADO” y que la batería no esté conectada antes de realizar este procedimiento.

SUPERFICIES EXTERIORES

Aplique ocasionalmente un acondicionador de caucho o vinilo en los parachoques, neumáticos y molduras.



¡ADVERTENCIA! No aplique el acondicionador de caucho o vinilo en el asiento de vinilo del scooter ni en la rodadura de los neumáticos ya que se volverían peligrosamente resbaladizos.

LIMPIEZA Y DESINFECCIÓN

- Utilice un paño húmedo y suave y un limpiador no abrasivo para limpiar las partes plásticas y de metal del scooter. No use productos que puedan rayar la superficie del scooter.
- En caso necesario, limpie su producto con un desinfectante apropiado. Antes de aplicarlo, asegúrese de que pueda utilizar el desinfectante en su producto.



¡ADVERTENCIA! Siga las consignas de seguridad para la utilización correcta del desinfectante antes de aplicarlo a su producto. El incumplimiento de estas indicaciones podría provocar irritaciones cutáneas o daños en la tapicería o el acabado de su scooter.

CONEXIONES DEL PAQUETE DE BATERIA

Asegúrese de que los conectores de los terminales de la batería estén apretados y no corroídos.

CABLEADO ELÉCTRICO

- Compruebe regularmente todas las conexiones cableadas.
- Verifique regularmente el aislamiento de los cables, incluido el cable del cargador, para descartar cualquier desgaste o daño.
- Pídale a su comerciante autorizado que repare o cambie los conectores o material aislante dañado antes de volver a utilizar su scooter.



¡PROHIBIDO! Si bien el scooter ha superado todas las pruebas requeridas de resistencia a líquidos, deberá evitar que los componentes eléctricos se humedezcan (exposición directa al agua o fluidos corporales e incontinencia). Verifique los comp. eléctricos y, en caso de encontrar signos de corrosión, sustitúyalos por otros nuevos.



¡ADVERTENCIA! No tire directamente de los cables eléctricos para desconectarlos del scooter. Sujete siempre por el conector del cable para evitar cualquier daño a la hora de desenganchar los cables.

VIII. CUIDADO Y MANTENIMIENTO

CONTROLES DIARIOS

- Con la alimentación en “OFF”, compruebe el acelerador de giro. Asegúrese de que esté en la posición neutral cuando lo gire. No intente repararlo. Consulte a su comerciante autorizado si hay algún problema.
- Inspeccione el cable de timón. Asegúrese de que no esté deshilachado, con cortes o cables a la vista. En caso de problemas, consulte con su comerciante autorizado.
- Compruebe que las ruedas macizas no estén abolladas. Las abolladuras pueden afectar a la estabilidad de la scooter.
- Compruebe los frenos. Esta prueba debe realizarse sobre una superficie llana, con la scooter levantada a unas 36 pulgadas del suelo.
- Revise diariamente los mangos y cables del freno. Póngase en contacto con su comerciante autorizado si hay algún problema.

Para los frenos:

1. Encienda la batería.
2. Asegúrese de que todas las conexiones de la línea de freno estén seguras.
3. Gire el acelerador de giro para acelerar y enganche la palanca del freno hacia usted. Asegúrese de que el scooter se detenga lentamente.

CONTROLES SEMANALES

- Inspeccione el pantalla del timón, el paquete de baterías, y el neumático delantero en busca de corrosión. Póngase en contacto con su comerciante autorizado si es necesario.

CONTROLES MENSUALES

- Compruebe el desgaste de los neumáticos. Consulte a su comerciante autorizado para su reparación.
- Mantenga su scooter limpio y libre de materiales extraños como barro, suciedad, cabello, alimentos, bebidas, etc.

CONTROLES ANUALES

Diríjase a su comerciante autorizado para efectuar las revisiones anuales. Así, tendrá la seguridad de que su scooter sigue funcionando correctamente, además de prevenir posibles complicaciones.

PARACHOQUES

Si su scooter tiene un parachoques con un **acabado brillante**, el parachoques ha sido rociado con un recubrimiento sellador claro. Puede aplicar un recubrimiento ligero de cera para automóvil para ayudar a retener su apariencia brillante. Si su scooter tiene un parachoques con un **acabado mate**, use **SOLO** productos desarrollados para pinturas con acabado mate. No use cera, spray para detalles, ArmorAll®, ni ningún otro producto hecho para pinturas brillantes.



¡ADVERTENCIA! Escoja cuidadosamente el producto correcto para proteger el acabado del(los) parachoques(es) de su scooter. En los parachoques con un acabado mate, SÓLO deben usarse productos desarrollados para pintura con acabado mate. No tomar en cuenta esta advertencia puede tener como consecuencia un daño en el acabado mate de la pintura del parachoques.

COJINETES DEL EJE Y CONJUNTO TREN MOTRIZ

Estos elementos vienen prelubricados y sellados, y no necesitan más lubricación.

CONSOLA, CARGADOR/SIST. ELÉCTRICO

- Mantenga siempre estas zonas sin humedad.
- Si alguno de estos componentes se humedeciera, déjelo secar completamente antes de volver a utilizar su scooter.

CAMBIO DE LAS CONTRATUERCAS DE NYLON

Toda contratuerca de nylon que haya sido retirada con motivo del mantenimiento periódico, el montaje o desmontaje del scooter, deberá ser reemplazada por una nueva. Las contratuercas de nylon no pueden volver a utilizarse ya que se dañaría la inserción de nylon, provocando un ajuste menos seguro. Dispone de contratuercas de nylon de recambio en su ferretería local o puede conseguirlas a través de su comerciante autorizado.

VIII. CUIDADO Y MANTENIMIENTO

ALMACENAMIENTO

Si planea no utilizar su scooter por un periodo largo de tiempo, le aconsejamos que:

- Antes de guardar su scooter, cargue completamente la batería.
- Extraiga el paquete de baterías del scooter.
- Guarde el scooter en un lugar templado y seco. No deje que la batería se congelen.
- Evite guardar el scooter en lugares sujetos a temperaturas extremas.
- Temperatura recomendada de almacenamiento: -40°C/-40°F a 65°C/149°F.

Las baterías que se dejan descargar con frecuencia, no se cargan con regularidad, se guardan bajo temperaturas extremas o antes de haberlas recargado completamente pueden dañarse de forma permanente, afectando al funcionamiento del producto y limitando la vida de las mismas. Aunque guarde el scooter durante largos periodos de tiempo, nosotros recomendamos cargar la batería periódicamente para garantizar un rendimiento óptimo.



¡ADVERTENCIA! Proteja siempre la batería de temperaturas heladas y nunca cargue una batería congelada. El cargado de una batería congelada puede provocar daños en la batería.

Si va a guardar el scooter durante un largo tiempo, coloque varios cartones bajo la estructura del vehículo para levantarlo del suelo. Así, las ruedas no tienen que soportar todo el peso y se reduce el riesgo de abolladuras en las zonas de los neumáticos en contacto con el suelo.

ELIMINACIÓN Y RECICLAJE DEL SCOOTER

Para deshacerse de su scooter deberá tener en cuenta la normativa aplicable en su país. Póngase en contacto con la agencia local de eliminación de residuos o con su comerciante autorizado para saber cómo deshacerse correctamente del paquete, los componentes metálicos y plásticos, el sistema electrónico, la batería, así como los materiales de neopreno, silicona y poliuretano.



¡ADVERTENCIA! Las bolsas de plástico son un peligro de asfixia. Deseche las bolsas de plástico adecuadamente y no permita que los niños jueguen con ellas.

NOTES

NOTES

NOTES

Please fill out the following information for quick reference:

S.V.P. veuillez compléter les informations ci dessous:

Por favor, rellene la siguiente información para tener siempre a mano:

Dealer:

Marchand:

Comerciante: _____

Address:

Adresse:

Dirección: _____

Telephone:

Téléphone:

Número de teléfono: _____

Purchase Date:

Date d'achat:

Fecha de compra: _____



I N F M A N U 5 1 8 0



Serial #/série #/serie #